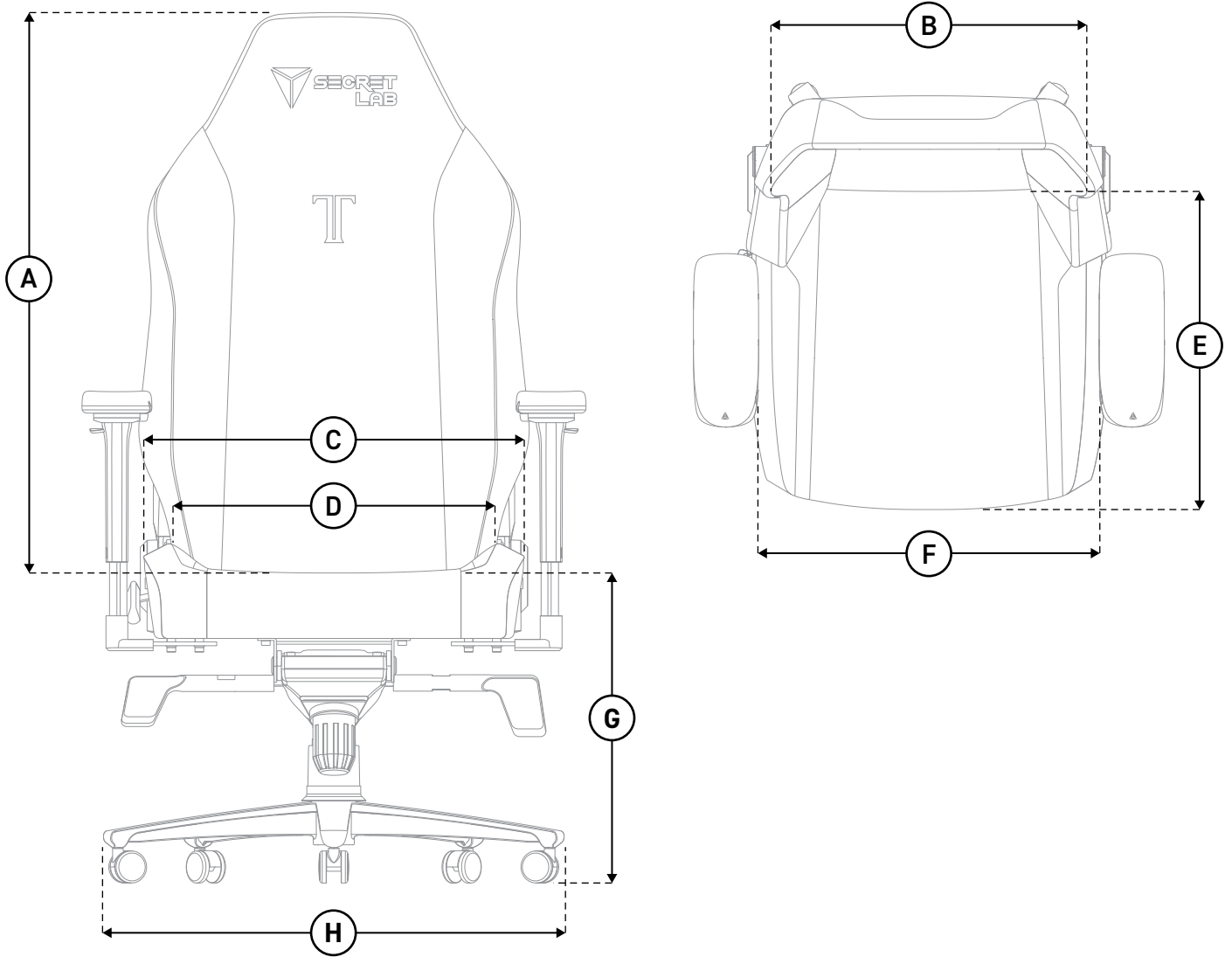


DIMENSIONS



Specification	Small (cm/in)	Regular (cm/in)	X-Large (cm/in)
A Backrest Length	82 / 32.3	85 / 33.5	89 / 35.0
B Backrest Width	51 / 20.0	53 / 21.0	56 / 22.0
C Seatbase Width (incl. Sides)	53 / 20.9	56 / 22.0	58 / 22.8
D Seatbase Width	45 / 17.7	47 / 18.5	49 / 19.3
E Seat Depth	48 / 18.9	49 / 19.3	50 / 19.7
F Armrest to Armrest	62 - 70 / 24.4 - 27.6	66 - 74 / 26.0 - 29.1	69.5 - 77.5 / 27.4 - 30.5
G Floor to Seatbase	45 - 52 / 17.7 - 20.5	45 - 52 / 17.7 - 20.5	46 - 55.5 / 18.1 - 21.9
H Wheelbase Diameter	70 / 27.6	70 / 27.6	80 / 31.5

SPECIFICATIONS

Recommended Size

Specification	Small	Regular	X-Large
Height	< 170 cm (5ft6in)	170 - 189 cm (5ft7in - 6ft2in)	181 - 205 cm (5ft11in - 6ft9in)
Weight	< 90 kg (200 lb)	< 100 kg (220 lb)	80 - 180 kg (175 - 395 lb)
Maximum Load	130 kg (285 lb)	130 kg (285 lb)	180 kg (395 lb)

Construction and Material

Foam Type:	Secretlab Cold Cure Foam Secretlab NanoFoam™ Composite
Frame Construction:	Steel
Available Upholstery:	Secretlab NEO™ Hybrid Leatherette Secretlab NanoGen™ Hybrid Leatherette Secretlab SoftWeave® Plus Fabric Secretlab NAPA Leather
Logo:	Machine Embroidery, TPU
Head Pillow†:	Magnetic Head Pillow, Memory Foam with Cooling Gel
Hydraulic Gas Piston*:	Class 4
Wheelbase:	Aluminum Alloy (ADC12)
Caster:	PU Coated

Adjustability

Lumbar Support:	In-built 4-way L-ADAPT™ Lumbar Support System
Armrests†:	4-Directional, Full-metal Mechanism with CloudSwap™ Replacement System <i>*Heavy-duty Edition Armrest included for NanoGen™ Edition</i>
Armrest Top:	Soft PU Coated: 27cm (L) x 10cm (W), CloudSwap™ Compatible
Multi-tilt Mechanism:	Tilt Lock Tilt Angle Lock
Recline (Tilt unlocked):	High-grade Spring; 85-165°

* Heavy-duty hydraulic piston only for XL size.

† Component contains neodymium magnets.

Manufacturer

SECRETLAB SG PTE. LTD.

351 Braddell Rd, #05-02, Singapore 579713

Contact Details

SECRETLAB NL B.V.

Siriusdreef 17, 2132 Wt Hoofddorp, The Netherlands

<https://secretlab.co/pages/contact>