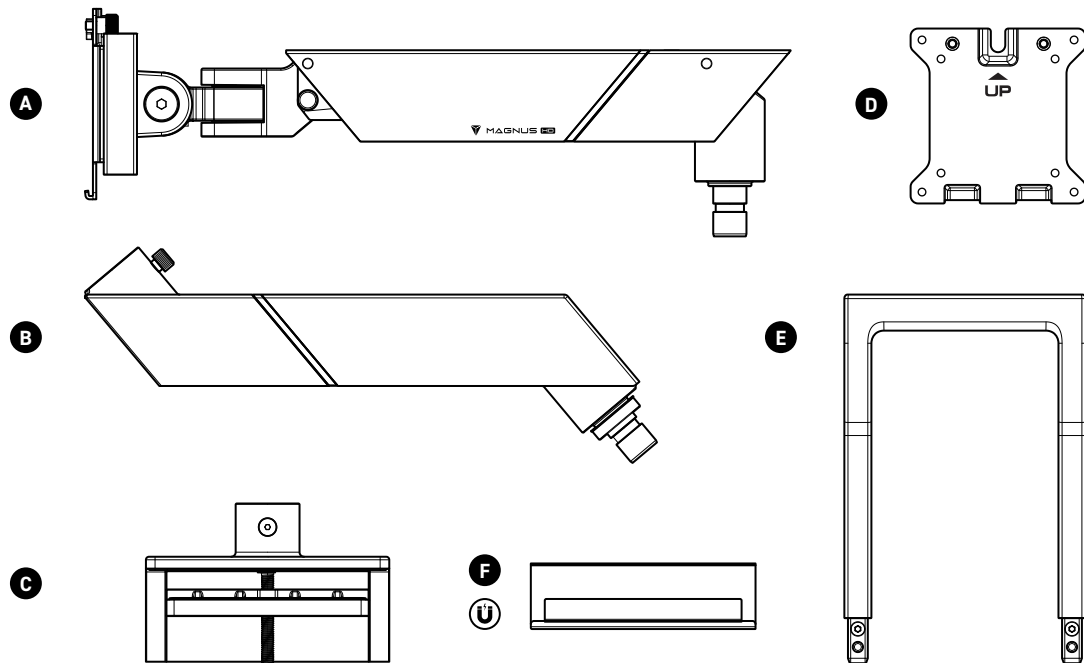


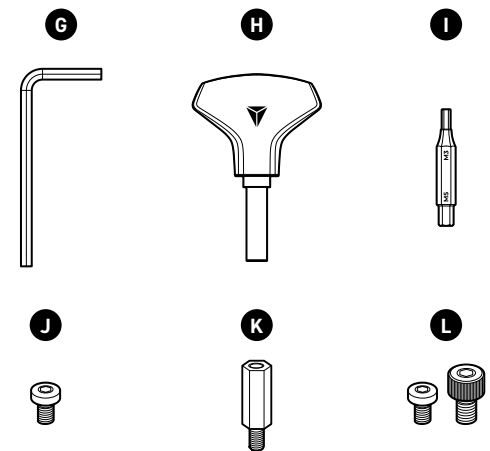
PACKAGE CONTENTS

A. Upper Arm	x1	D. VESA Plate	x1
B. Bottom Arm	x1	E. VESA-mounted Handles	x2
C. Heavy Duty Clamp Mount	x1	F. Magnetic Cable Sheath (Attached)	x2



TOOLKIT BOX

G. Allen Key (M5)	x1
H. Magnetic Screwdriver Handle	x1
I. Reversible Hex M5/M3 Screw Bit	x1
J. VESA Screw	x4
K. Standoff VESA Screw	x4
L. Spare Screws	x3

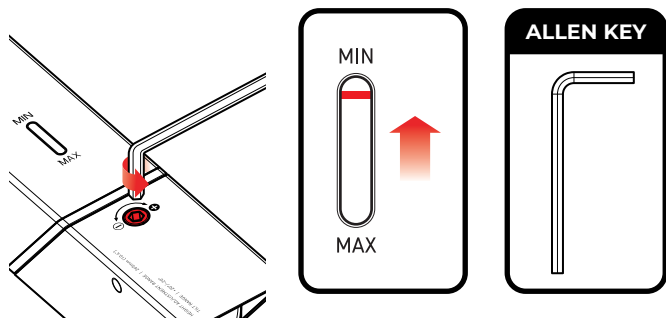


MONITOR DISMOUNTING

! DO NOT DISMOUNT YOUR MONITOR SCREEN WITHOUT ADHERING TO THE FOLLOWING DISASSEMBLY STEPS.

01 Disconnect all cables from your monitor screen and remove both handles from the VESA Mount.

02 Locate the Tension Adjustment Screw at the top of the Upper Arm. Turn it counterclockwise slowly.



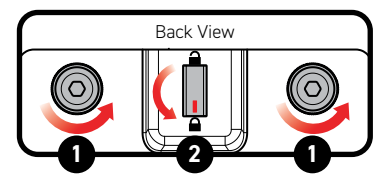
03 As you turn the Tension Adjustment Screw, you'll notice your monitor screen starting to sink. Continue turning it until the indicator reaches near the minimum tension level, and your monitor screen is fully supported on your desk top.

Note: If your monitor is unable to reach your desk top, choose a stable support base to make up for the height.

04 Next, locate the **two lock screws (1)** and loosen them. While doing this, make sure to support your monitor screen.



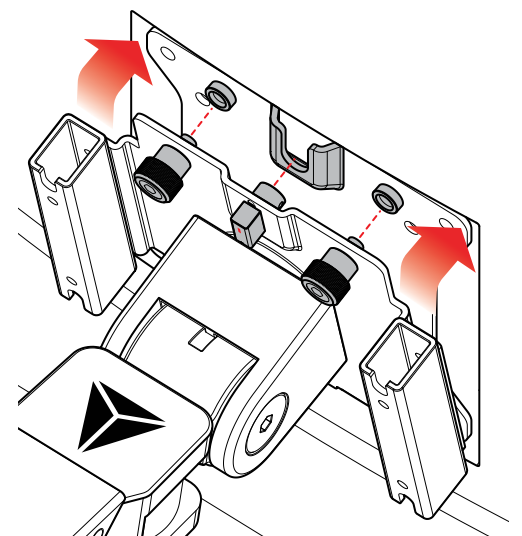
Note: We recommend having a friend for steps 4 - 6 to make disassembly easier.



05 Once the lock screws are loosened, press the monitor against the VESA mount, and while maintaining pressure, locate and twist the **lock knob (2)** 180° to unlock.

06 With the lock knob unlocked, you should now be able to unhook the monitor arm from the VESA plate by gently pivoting your monitor away from the VESA mount.

Slowly release the upper arm until you no longer feel any resistance pushing back against you.





ASSEMBLY VIDEO

Scan this QR code or visit secretlab.co/pages/resources to watch the full assembly video.

BEFORE YOU START



Having a friend to help can make the assembly process even easier.



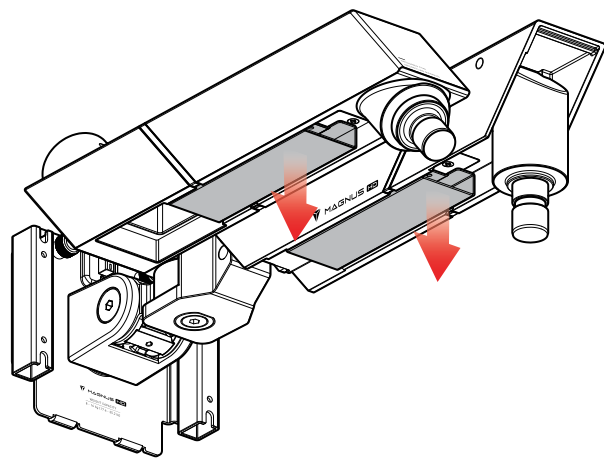
Read the important safety information before use.



Contact us if you experience any issues.

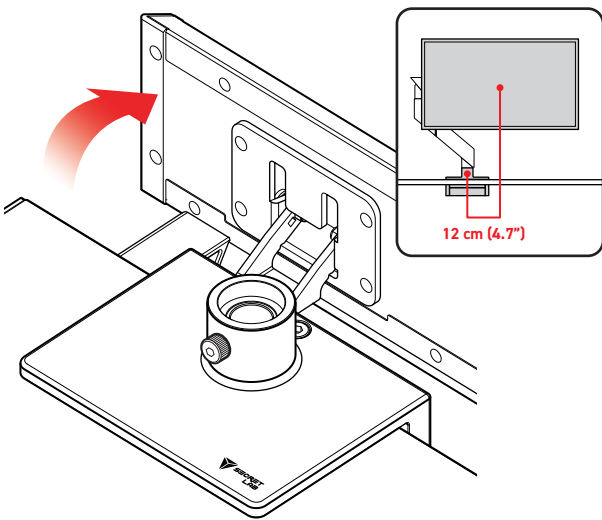
STAGE A: ARM ASSEMBLY

01 Remove all contents from the packaging box and ensure that you have received all the listed package contents. The thumb screws and magnetic cable sheaths have been pre-assembled in the arms. Remove the Magnetic Cable Sheaths from each individual arm before assembly.



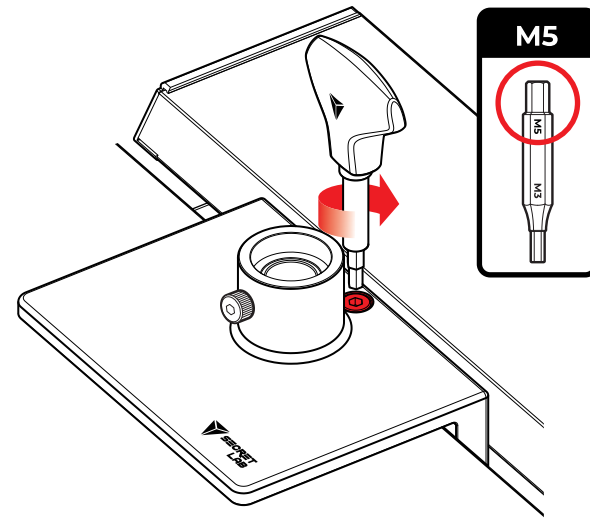
02 Begin with the Clamp Mount installation by lifting the rear cover of your MAGNUS Desk. You can now slide the clamp along the edge of your desk to your desired position.

Note: To center your monitor screen on your desk, adjust the clamp position so that it is **12 cm (4.7")** offset from the desired monitor position.

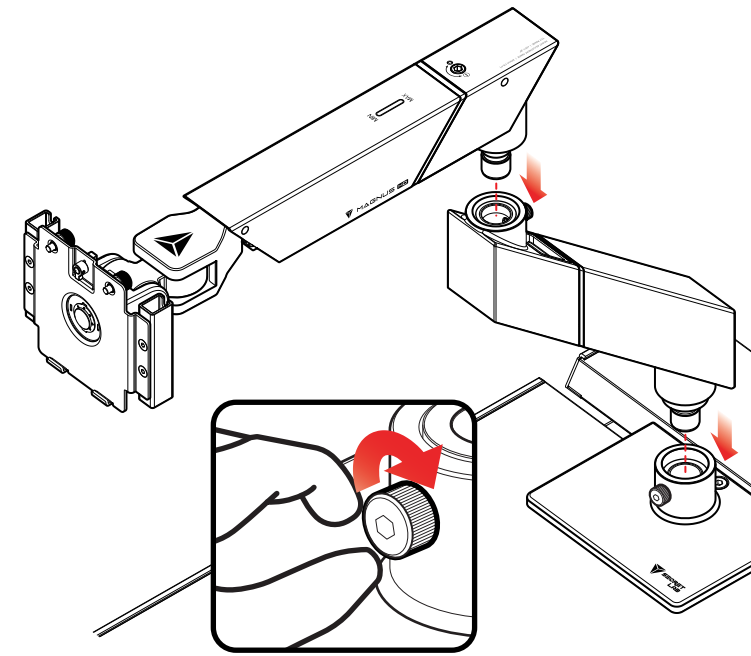


03 Ensure that the clamp is flushed against the edge of the desk and fully tighten the top screw **clockwise** to anchor the clamp in place.

Note: Ensure you do not overtighten the top screw.

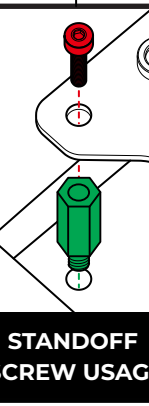
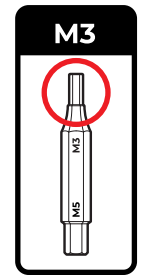
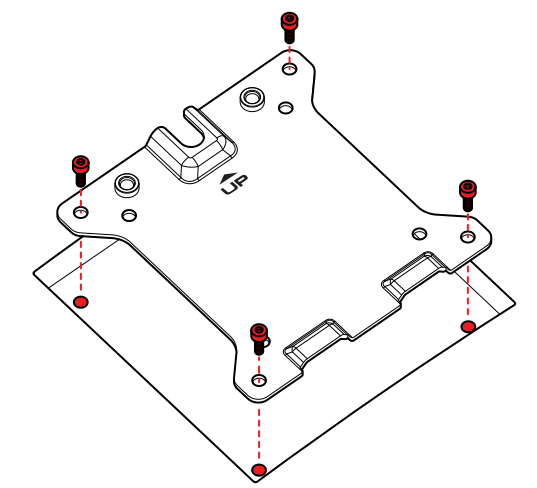


04 Insert the Bottom Arm into the Clamp Mount and the Upper Arm into the Bottom Arm. Turn the thumb screws attached clockwise to secure your arms in place.



05 Position the VESA Plate over the mounting holes of your monitor and attach the plate using the VESA screws. If your monitor's VESA position is recessed, we recommend that you use the stand off screws provided to extend your VESA plate outwards.

Note: The VESA Plate has both 75 mm and 100 mm hole patterns. Choose the appropriate holes location for your monitor.

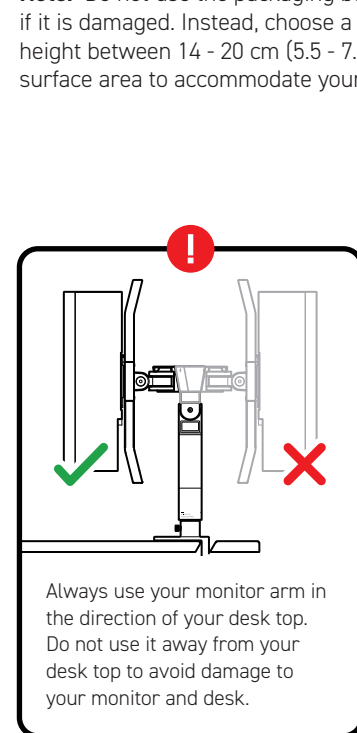


STAGE B: MONITOR MOUNTING

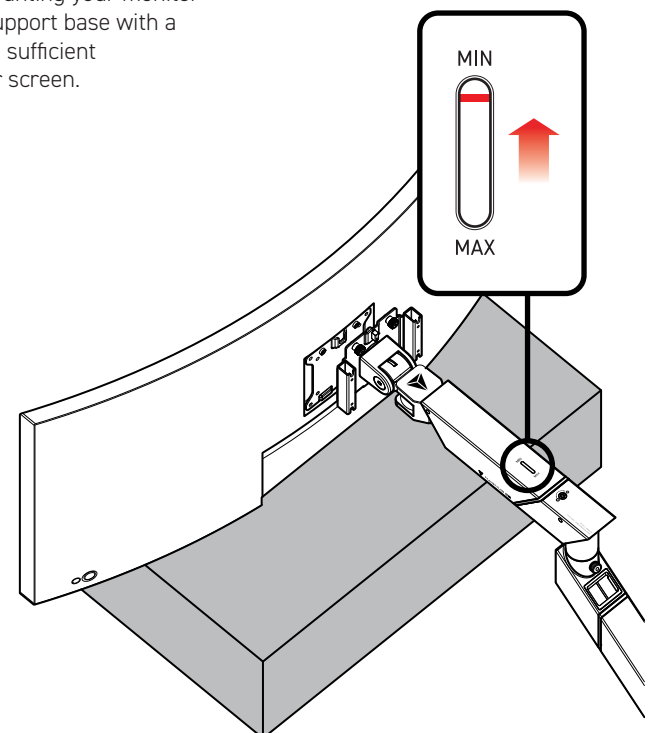
01 To mount your monitor safely, use the provided packaging box as a secure base support for your monitor. Lift the monitor and place it on top of the packaging box as demonstrated. Ensure that your arm is set to the minimum tension.

Keep the box in place until you complete Step 3.

Note: Do not use the packaging box for mounting your monitor if it is damaged. Instead, choose a stable support base with a height between 14 - 20 cm (5.5 - 7.9") and a sufficient surface area to accommodate your monitor screen.

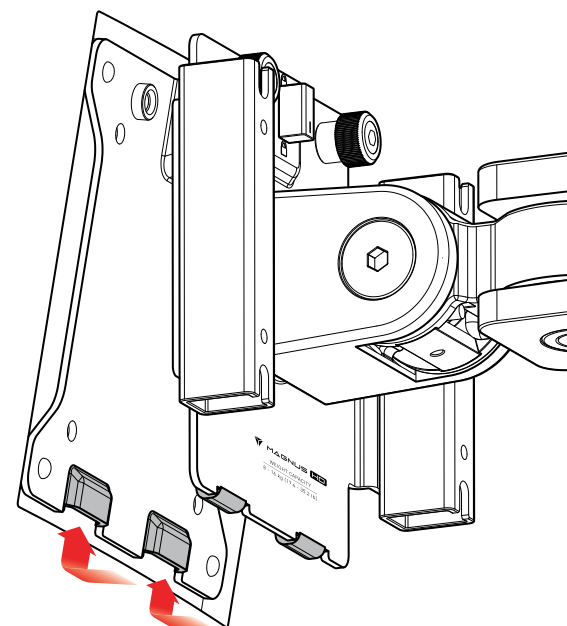


Always use your monitor arm in the direction of your desk top. Do not use it away from your desk top to avoid damage to your monitor and desk.

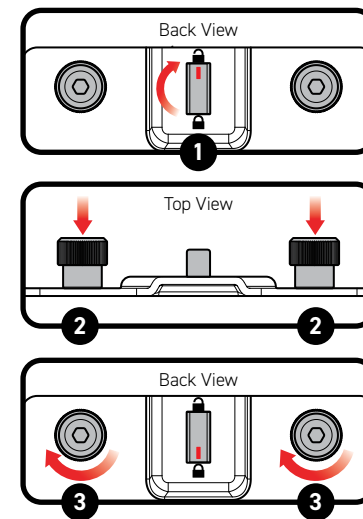
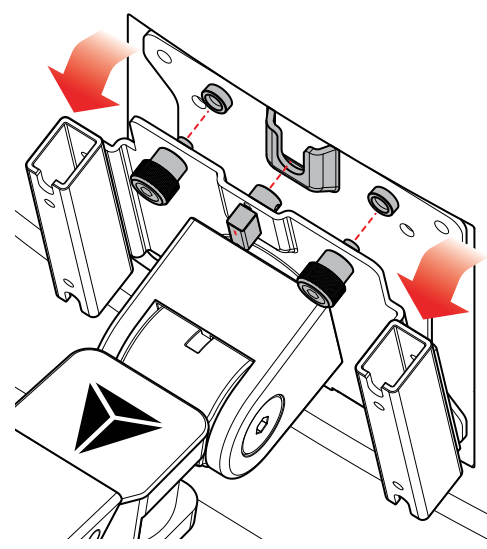


02 We recommend having a friend for this step to make assembly easier. To ensure that your monitor is securely mounted, carry out the following two-step process of **Hooking (A)** and **Locking (B)**. Ensure that your monitor is within the capacity of this monitor arm and weighs between **8 - 16 kg (17.6 - 35.2 lbs)**.

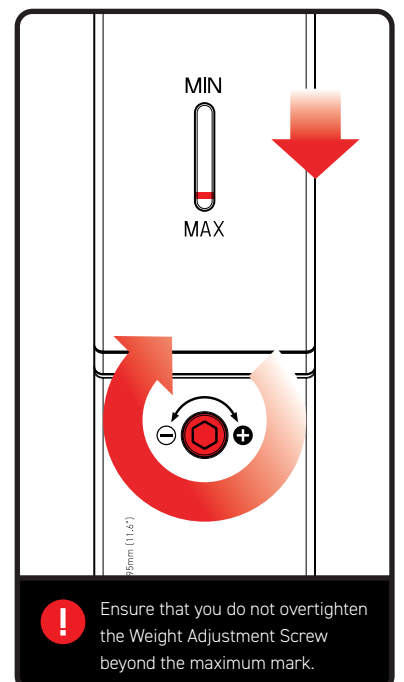
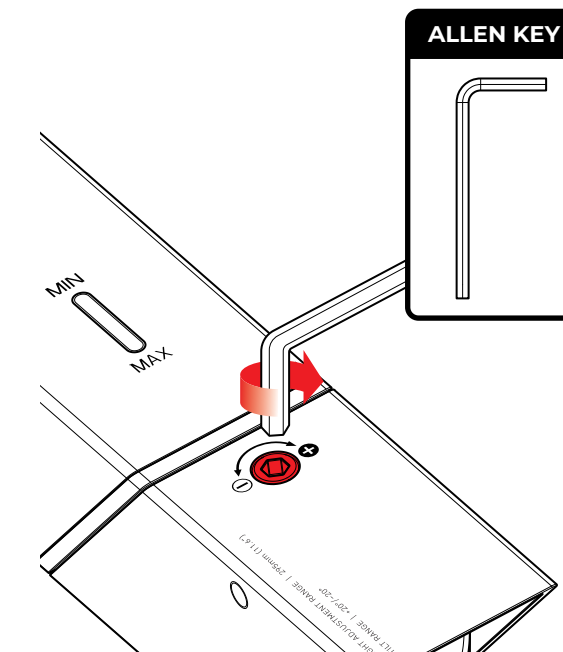
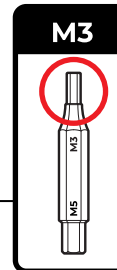
A While holding your monitor, maneuver the arm into the position shown and proceed to hook the bottom of the VESA mount to the bottom slots on the VESA Plate first.



B Once the hooks are engaged, you should be able to pivot your monitor backwards such that the locks are aligned. Once the VESA plate and mount are flushed, twist the **lock knob (1)** to the locked position and press down onto each **lock screw (2)** and fasten it by hand. **Fully tighten (3)** the lock screws clockwise with the tools provided to fully secure your monitor.



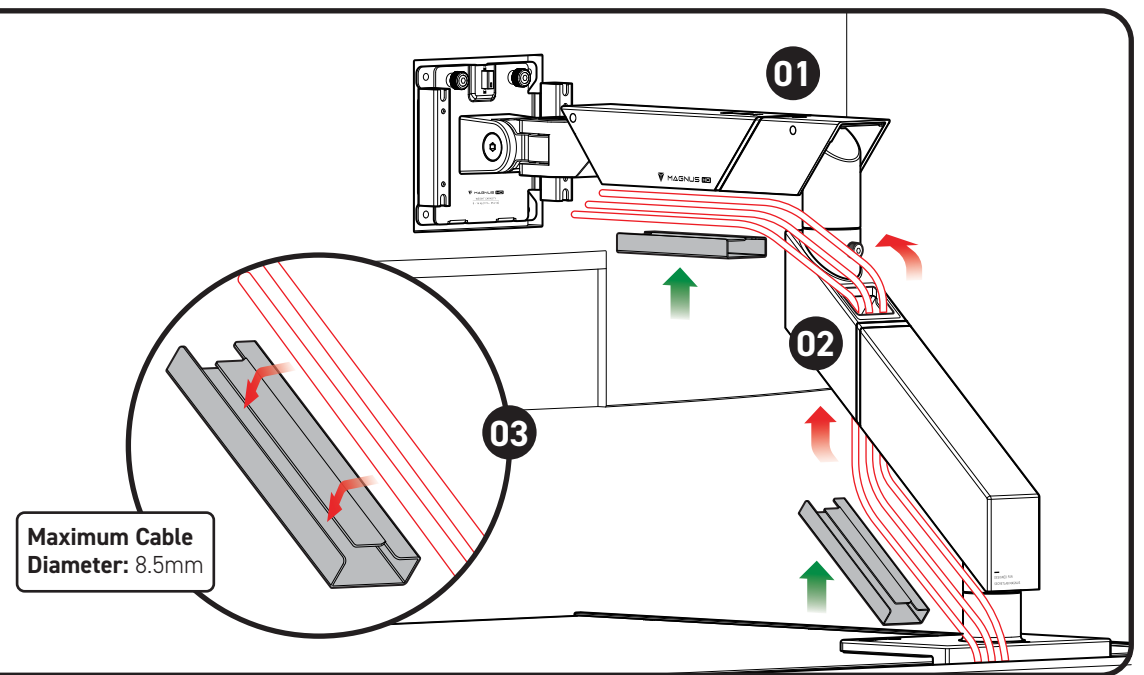
Once your monitor screen is secured in place, do not dismantle it without following the dismantling instructions provided.



Ensure that you do not overtighten the Weight Adjustment Screw beyond the maximum mark.

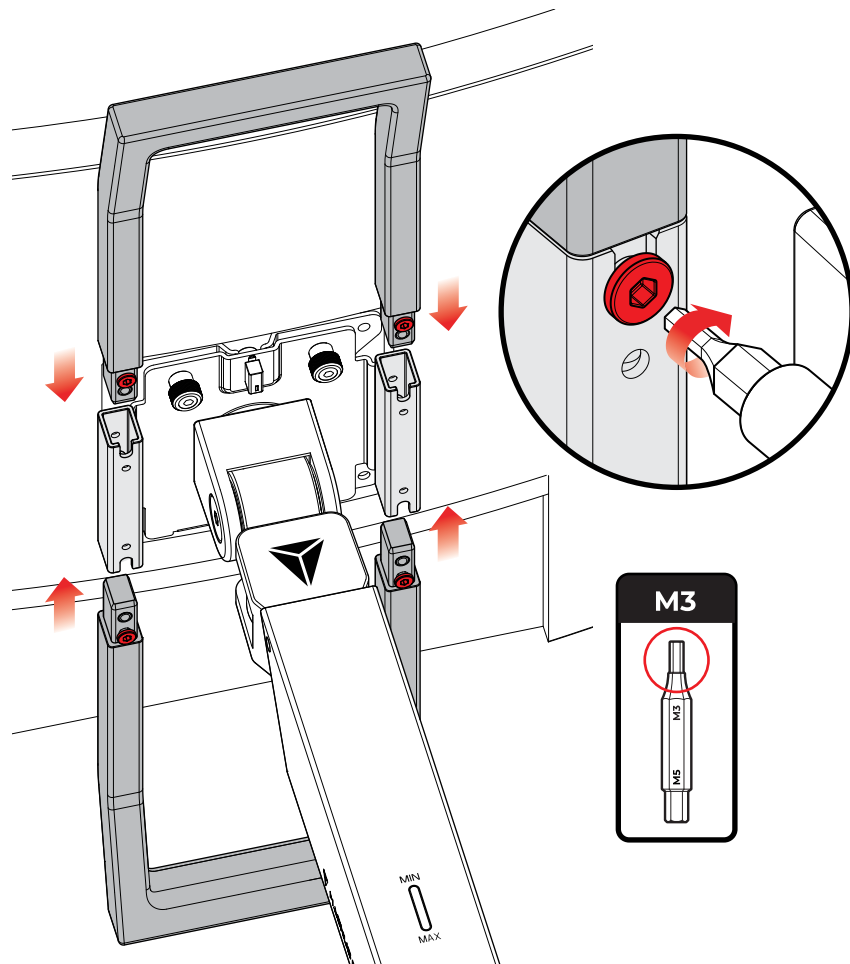
STAGE C: CABLE MANAGEMENT

- 01** Before you begin routing your cables, fully extend the arm to ensure easy arm rotation when fully assembled.
- 02** **Fully connect** your cables from your power source or computer through the Cable Channel on the bottom arm to your monitor.
- 03** Slot the loose cables under both arms into their respective Magnetic Cable Sheaths and attach them to the base of each arm.
Note: Leave some slack in the cables to ensure that your monitor rotates without any obstruction.



STAGE D: HANDLE INSTALLATION

- 01** Insert each handle into the slots located on the VESA mount. You should feel a click when the handles are fully inserted.
Note: Both handles should be angling away from your monitor screen.
- 02** Tighten the pre-installed hex screws on the handle to fasten it securely to the VESA mount.



USE & LIABILITY



The Secretlab MAGNUS Heavy Duty Monitor Arm is designed for indoor use and dry work areas only. Under no circumstances does the manufacturer accept warranty claims or liability claims for damages caused from improper use or handling of the monitor arm. For warranty terms and service or any other queries, scan the QR code or visit our website secretlab.co/support.

OTHER LANGUAGES



To view this manual in the following languages, please scan the QR Code to the left.

Pour consulter ce manuel dans les langues suivantes, veuillez scanner le QR code à gauche.

Um dieses Handbuch in den folgenden Sprachen anzuzeigen, scannen Sie bitte den QR-Code auf der linken Seite.

Scan de QR-code naar links om deze handleiding in de volgende talen te bekijken.

이 설명서를 다음 언어로 보시려면 왼쪽에 있는 QR 코드를 스캔하세요.

Untuk melihat manual ini dalam bahasa berikut, sila imbas Kod QR ke kiri.

IMPORTANT SAFETY INFORMATION

This user manual contains important safety regulations. Any non-conforming use may result in personal injury or mechanical damage. Please read this user manual carefully before use as it provides key information about safety, use, assembly and maintenance of the Secretlab MAGNUS Heavy Duty Monitor Arm.

Ensure that you have received all parts according to the part checklist prior to installation. If any parts are missing or faulty, contact the Secretlab support team for replacements. The Secretlab MAGNUS Heavy Duty Monitor Arm contains small items that could be a choking hazard if swallowed. Keep these items away from children and pets. Do not overtighten the screws during installation.

Place the monitor arm away from corrosive gas, water and dusty environment. Alteration or modding of any factory components outlined in the part checklist will automatically void your warranty.



This monitor arm is not intended for use by children without adult supervision.



Do not exceed the maximum load capacity stated for the monitor arm, **8 - 16 kg (17.6 - 35.2 lb)**.



Ensure that the mounting surface will safely support the combined weight of the arm and its attached components.



Do not remove your monitor screen unless the arm is fully unloaded. Dismounting instructions are provided.



This product is intended for indoor use only. Using this product outdoors could lead to product failure.



The cable sheaths contain strong magnets. This can be harmful to pacemaker wearers.

AFTERCARE GUIDE



Do not use your monitor arm outside of its intended usage.

Improper use can damage your monitor arm or even cause injuries. To ensure your safety, always follow the given instructions.



Clean with damp cloth.

Use a solution of mild soap and warm water applied to a damp cloth to remove dirt and impurities. Dry with a clean cloth immediately afterwards.



Do not abuse it

Even the toughest of monitor arms will not be able to stand up to rough and inappropriate use. Keep your monitor arm away from impacts, drops and sharp objects.



Do not use abrasive scrubbers or harsh cleaners

Avoid abrasive cleaners as they can damage the powder-coated finish of your monitor arm.



Avoid exposure to direct or prolonged sunlight

Do not expose your monitor arm to direct and prolonged periods of sunlight or heat sources as fading and cracking of the surface finish may occur.

TECHNICAL SPECIFICATIONS

Weight Capacity	8 - 16 kg (17.6 - 35.2 lb)
Table Top Compatibility	10 - 50 mm (0.4 - 1.9")
Vesa Mount Compatibility	75 x 75 mm / 100 x 100 mm
Arm Tilt Range	+20°/-20°
Screen Swivel Range	+90°/-90°
Screen Rotational Range	+90°/-90°
Height Adjustment Range	265 mm (10.4")
Extended Arm Reach	515.7 mm (20.3")

