

USER MANUAL



Other Languages

To view this manual in the following languages, please scan the QR Code to the left.

Pour consulter ce manuel dans les langues suivantes, veuillez scanner le QR code à gauche.

Um dieses Handbuch in den folgenden Sprachen anzuzeigen, scannen Sie bitte den QR-Code auf der linken Seite.

Scan de QR-code naar links om deze handleiding in de volgende talen te bekijken.

本マニュアルを以下の言語でご覧になるには、左のQRコードをスキャンしてください。

이 설명서를 다음 언어로 보시려면 왼쪽에 있는 QR 코드를 스캔하세요.

เพื่อดูคู่มือนี้ในภาษาต่าง ๆ โปรดสแกน QR Code ที่อยู่ด้านซ้าย

Để xem sổ tay hướng dẫn này bằng ngôn ngữ khác, vui lòng quét Mã QR ở bên trái.

Untuk melihat panduan ini dalam bahasa lainnya, silakan scan QR code di sebelah kiri.

باجتساب سال زمزل ئىئوض حسم ءارجى جري، لىل اتال تاغل لابل لىلدل اذه ضررل
بناجل لىل ع حصوم لىل عىرس لىل

Award-winning ergonomic comfort. Engineered to support your every move.

What's In The Box _____	01
Assembly Guide _____	02
Usage Guide _____	08
Aftercare _____	15
- Usage and Safety Instructions	
- Upholstery Care	
- Mechanical Components	
- Troubleshooting	
- Important Magnet Information	
Chair Specifications _____	22

WHAT'S IN THE BOX



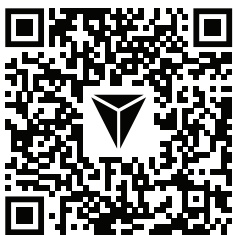
- | | | | |
|----|--|----|-------------------------------------|
| 01 | Secretlab TITAN Evo Backrest | 10 | Magnetic Side Covers* |
| 02 | Secretlab TITAN Evo Seatbase with Armrests | 11 | PU Caster (Wheels) |
| 03 | ADC12 Aluminum Wheel Base** | 12 | Armrest Tops |
| 04 | Magnetic Memory Foam Head Pillow* | 13 | Assembly Toolkit |
| 05 | Multi-functional Tilt Mechanism# | a. | Long Allen Key |
| 06 | Class 4 Hydraulic Piston | b. | M8 Screws |
| 07 | Hydraulic Sleeve | c. | Magnetic Screwdriver Handle |
| 08 | Height Adjustment Lever Handle | d. | Reversible Phillips + Hex Screw Bit |
| 09 | Tilt Lock Lever Handle | | |

*Component contains neodymium magnets.

#XL Size comes with Heavy Duty Tilt Mechanism and Class 4 Hydraulic Piston

**XL Size comes with ADC12 Aluminum Wheel Base

ASSEMBLY GUIDE



Assembly Video

Scan the QR code or visit
<https://secretlab.co/assembly-video-titan-evo-2022>
to watch our full assembly video.

Before you start



Check your parts

Remove all parts from the box, checking that none of the parts are missing.



Use the foam

Assemble the chair on the foam sheets provided to protect your floor.



Easier on Co-op mode

Having a friend to help can make the assembly process even easier.

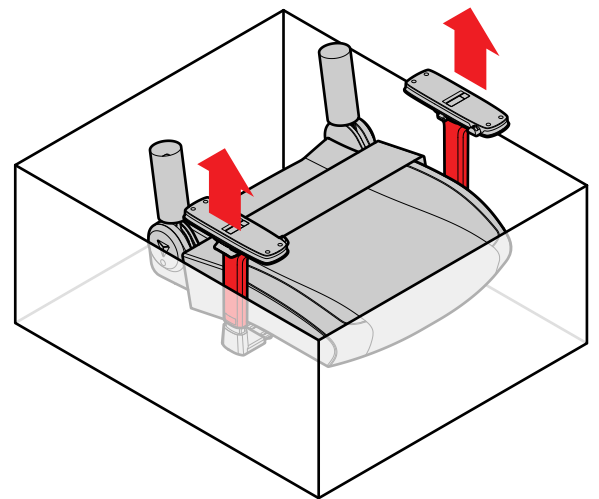
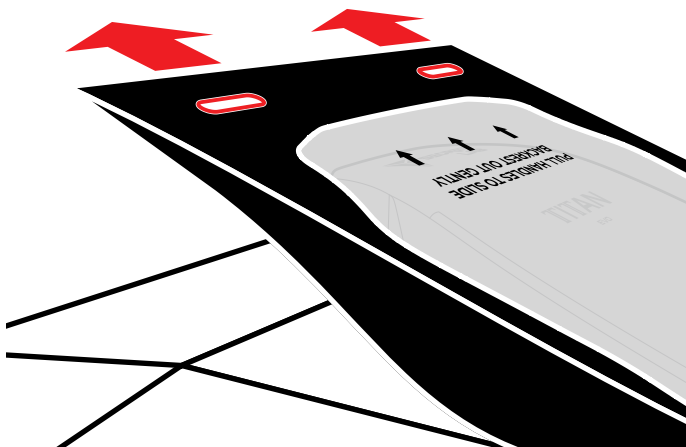


Need help?

Contact us if you experience any issues.

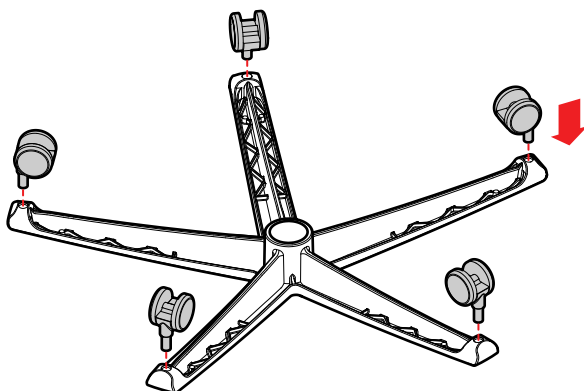
01

Using the handles on the backrest heat-seal bag, gently slide the backrest out of the packaging box. Lift the seatbase by grabbing onto the stems of the armrests. Lay out the foam sheets provided and remove all remaining parts.



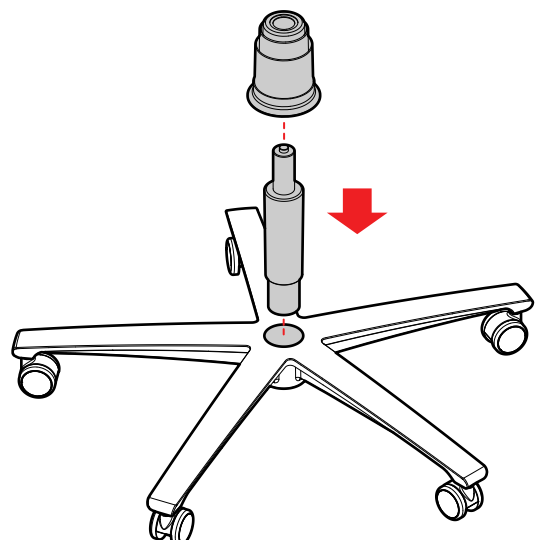
02

Place the wheelbase upside down on top of the foam sheet and insert all 5 casters.

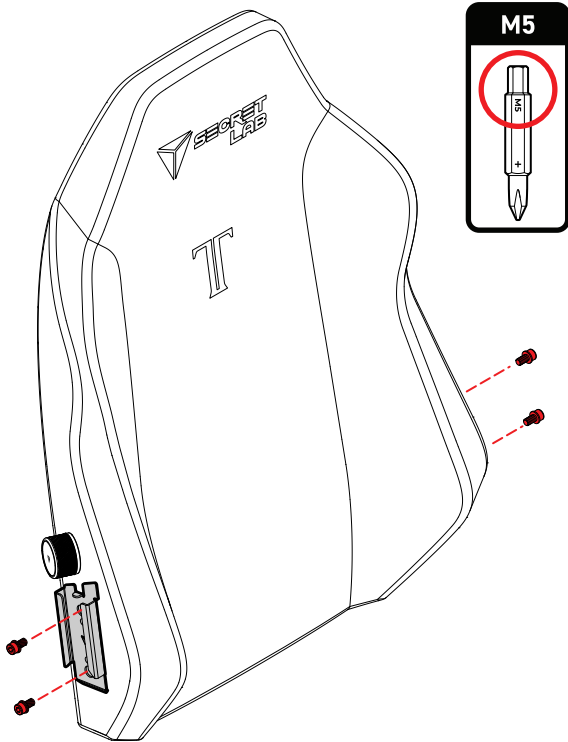


03

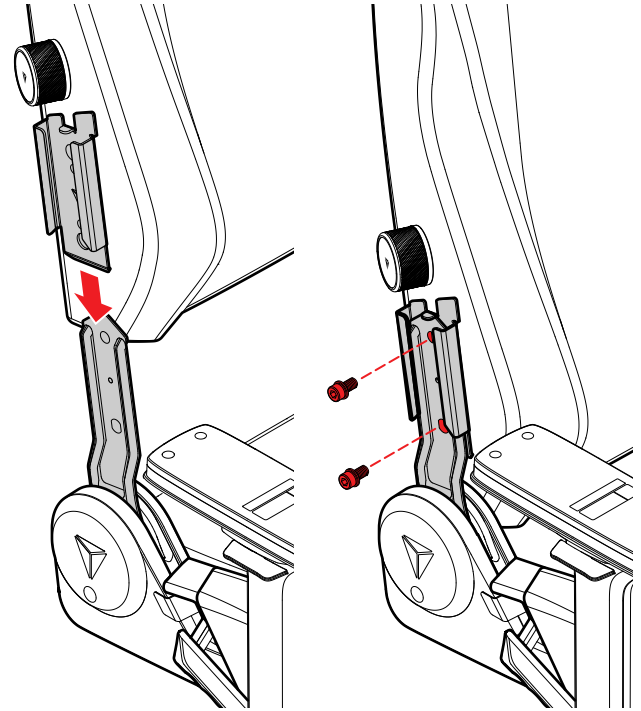
Turn the wheelbase right side up and insert the hydraulic piston. Slide the hydraulic sleeve over the piston.



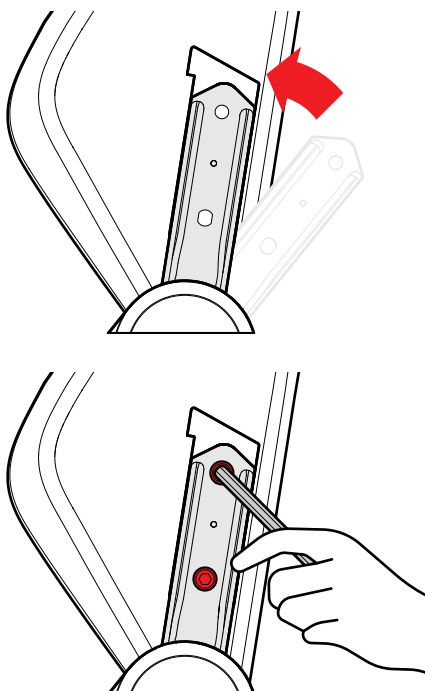
04 Remove the 4 M8 screws pre-installed in the backrest using the hex side of the screwdriver or allen key.



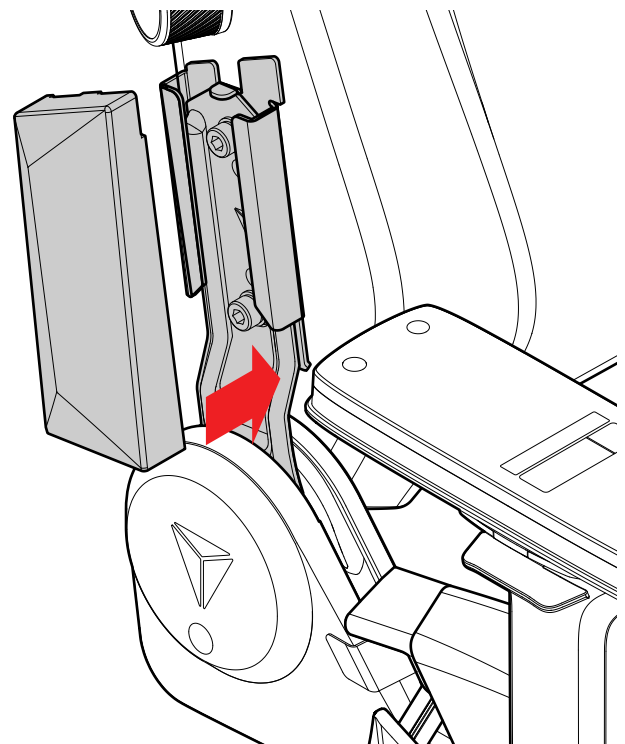
05 Slide the backrest bracket on the right down onto the right recline bracket until it comes to a stop. Insert the M8 screws (from Step 4) and screw them in halfway.



06 Push the left recline bracket up to align with the screw holes on the left of the backrest. Insert the M8 screws and fully tighten all 4 screws on both sides with the long allen key.

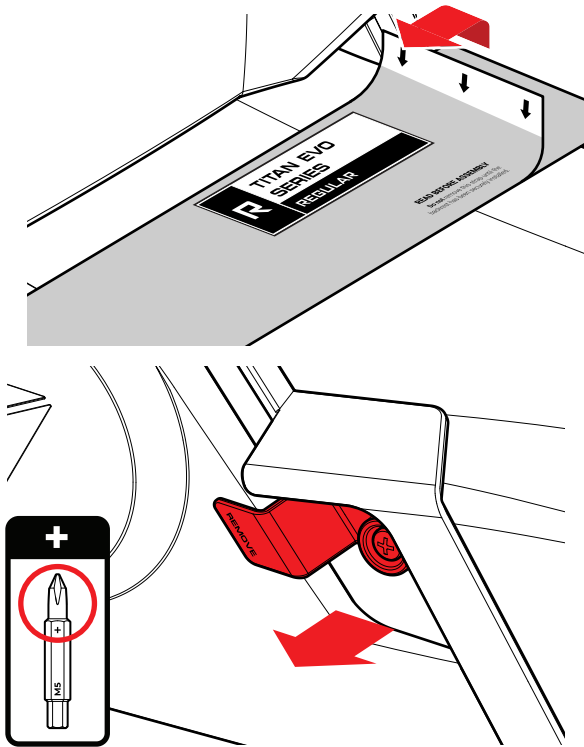


07 Install the magnetic side covers by aligning them on top of the backrest brackets on both sides. They will magnetically snap into place.

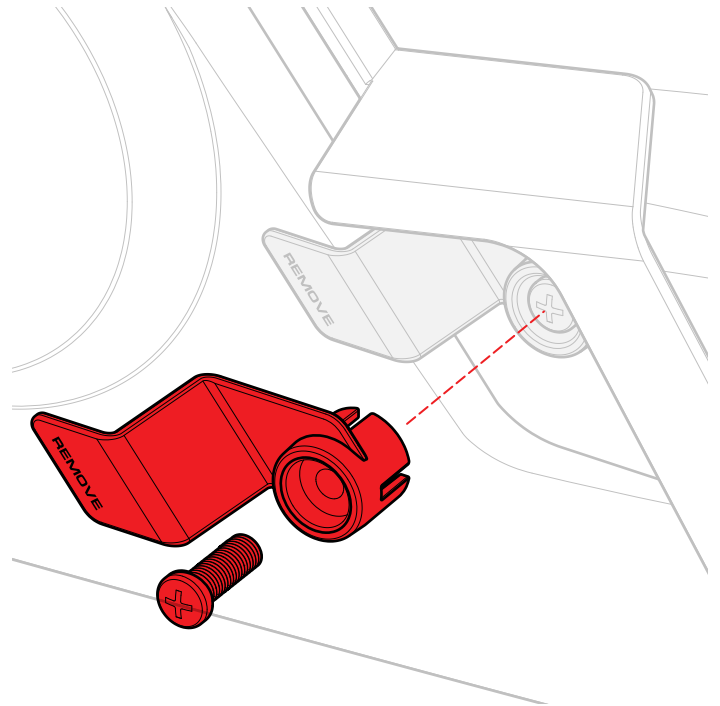


ASSEMBLY GUIDE

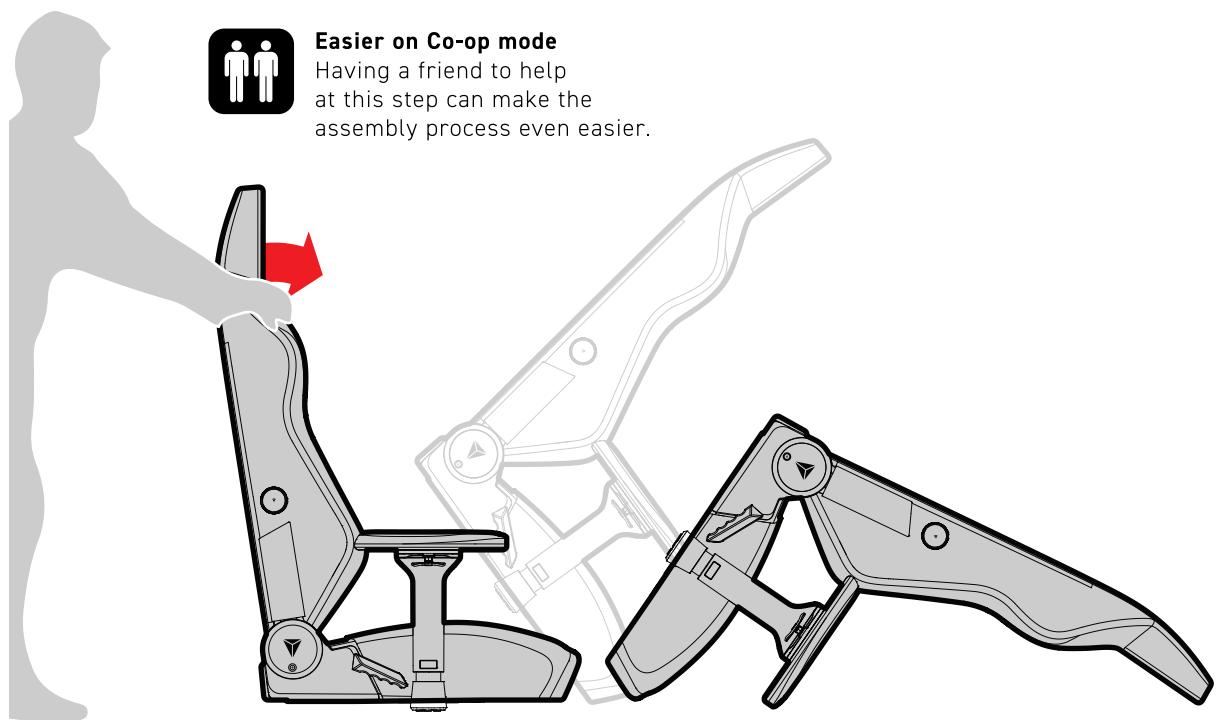
08 Remove the recline strap. Next, use the Phillips screwdriver to remove the red screw marked out by the red safety tab on the right recline cover.



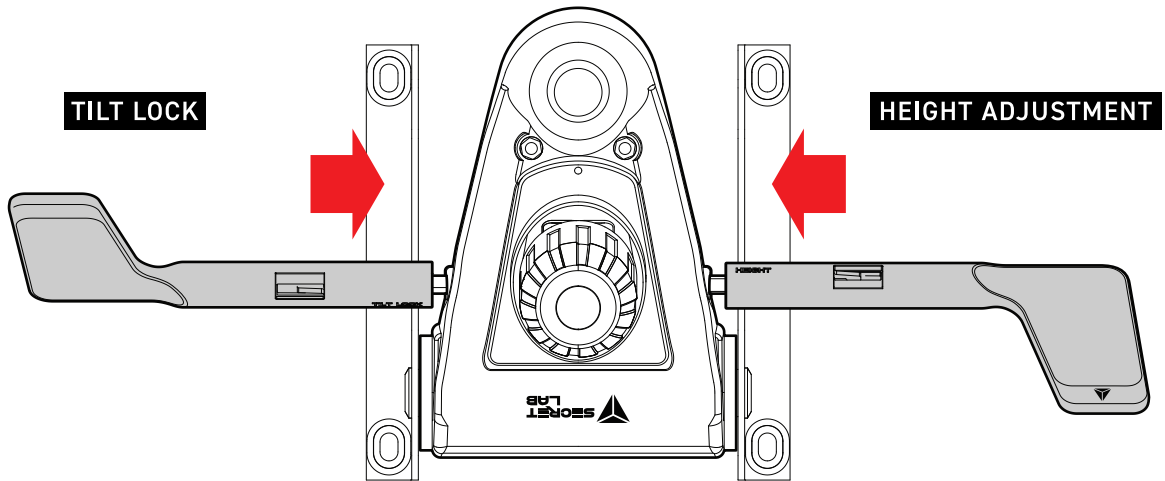
09 Remove the red safety tab. This allows the recline mechanism to be used.
Note: Do not discard the recline safety tab and screw as it can be used for child safety



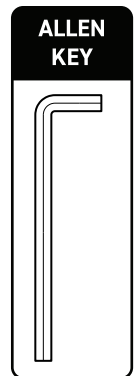
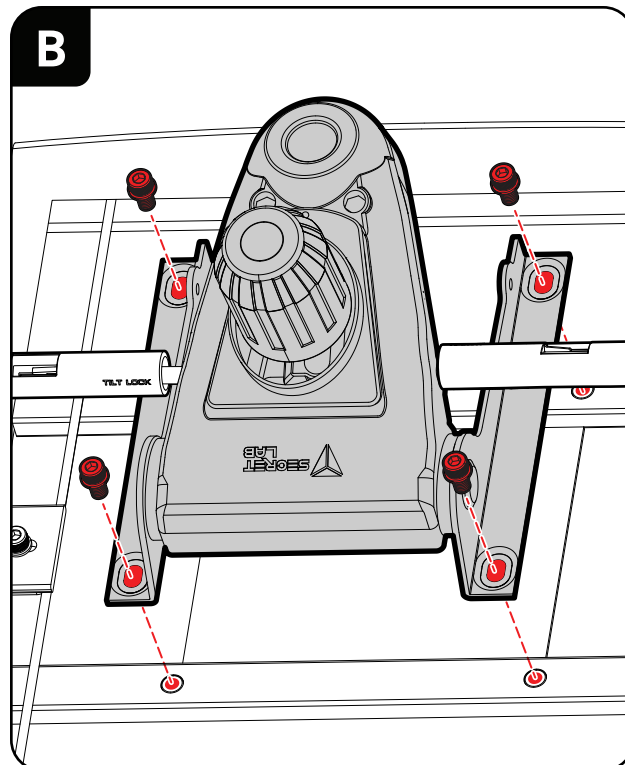
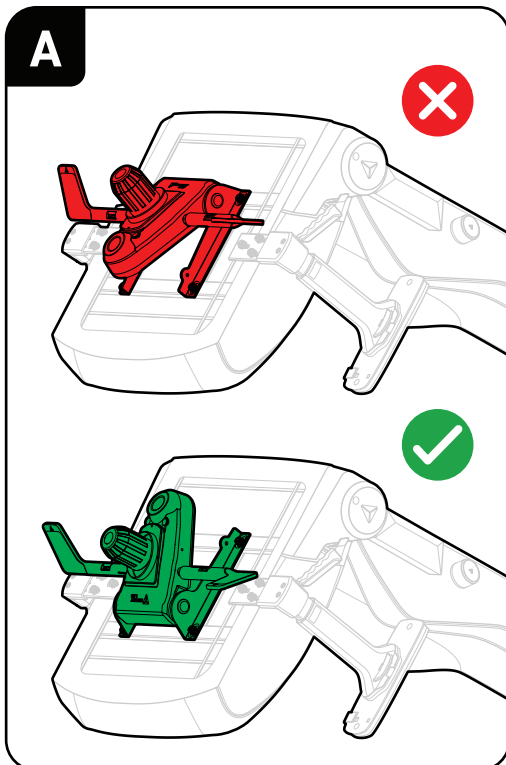
10 Lift the chair and gently set it facing downwards as shown.



- 11** Refer to the sticker label under the seatbase for the correct orientation of the lever handles. Line up the grooves on the inside of the lever handles with the notches and fully insert them into the shafts.

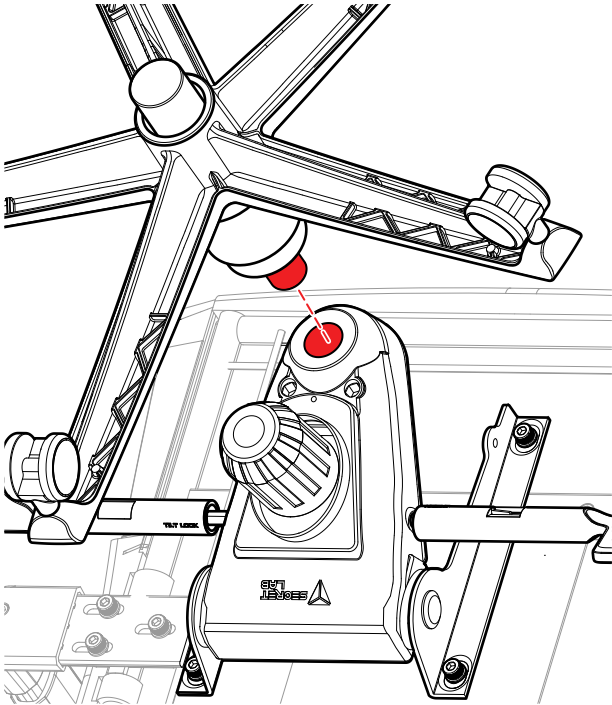


- 12** A. Ensure the multi-tilt mechanism is facing the correct direction.
B. Attach the multi-tilt mechanism to the bottom of the seatbase using the 4 M8 screws provided. Tighten all 4 screws using the allen key.

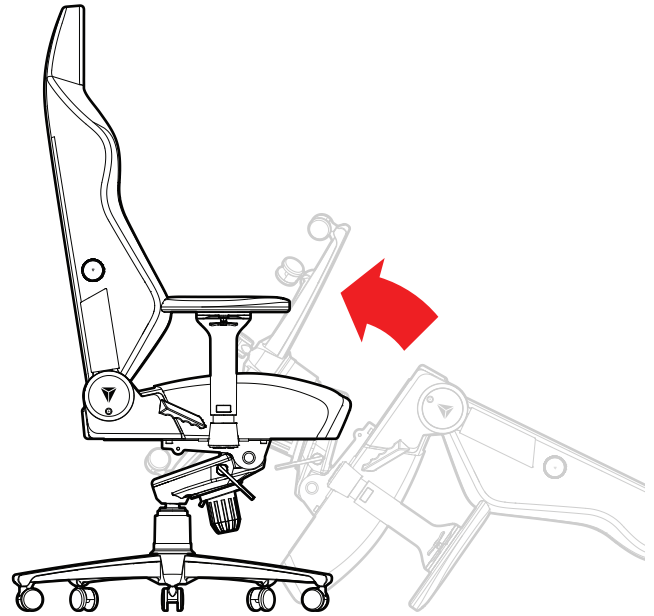


ASSEMBLY GUIDE

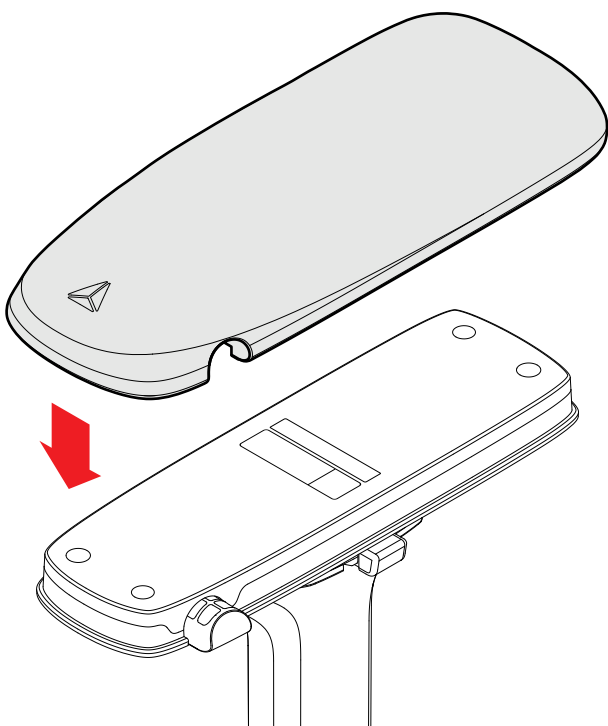
13 Lift the assembled wheelbase and insert the hydraulic piston into the socket of the multi-tilt mechanism.



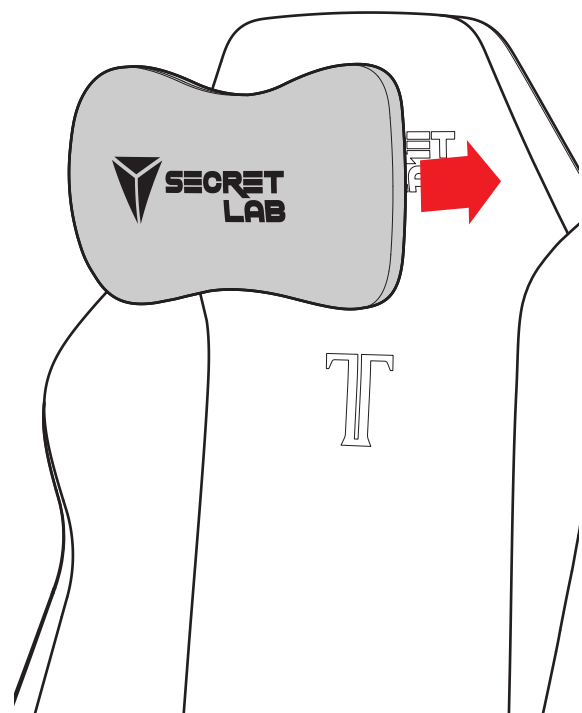
14 Carefully tilt the chair upright while holding the wheelbase.



15 Install the Secretlab Armrest Tops (CloudSwap™ compatible) onto the armrests. They will snap in place magnetically.



16 Place the magnetic head pillow on the backrest as shown and it will magnetically attach itself. Your Secretlab chair is now fully assembled!



USAGE GUIDE

Backrest Recline Adjustment

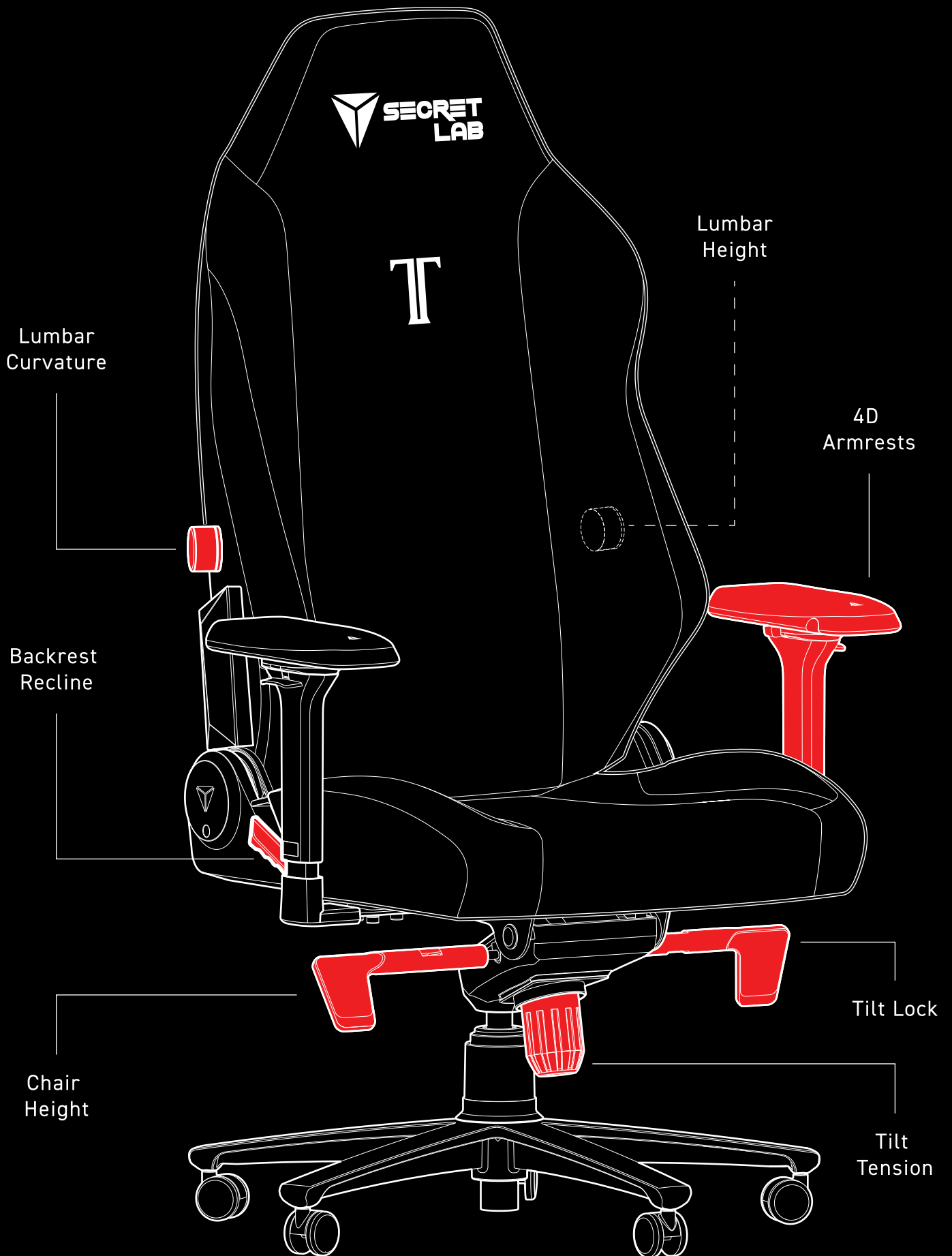
Height Adjustment

Multi-Tilt Adjustment

L-ADAPT™ Lumbar Support Adjustment

Armrest Adjustment

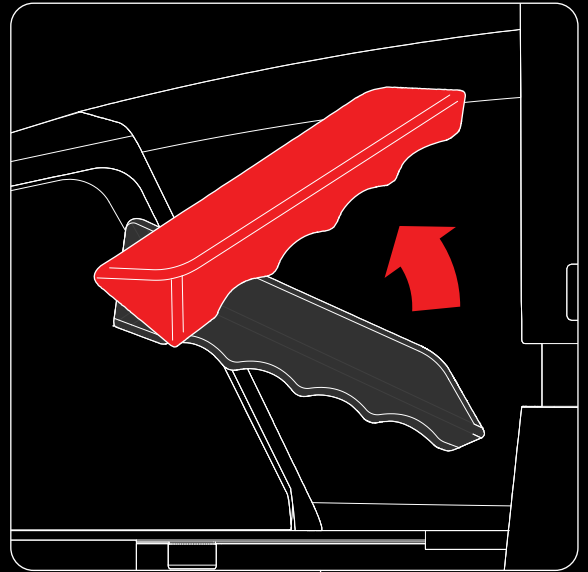
USAGE GUIDE



A Backrest Recline Adjustment

Adjustment Range: 85-165° (Tilt Unlocked)

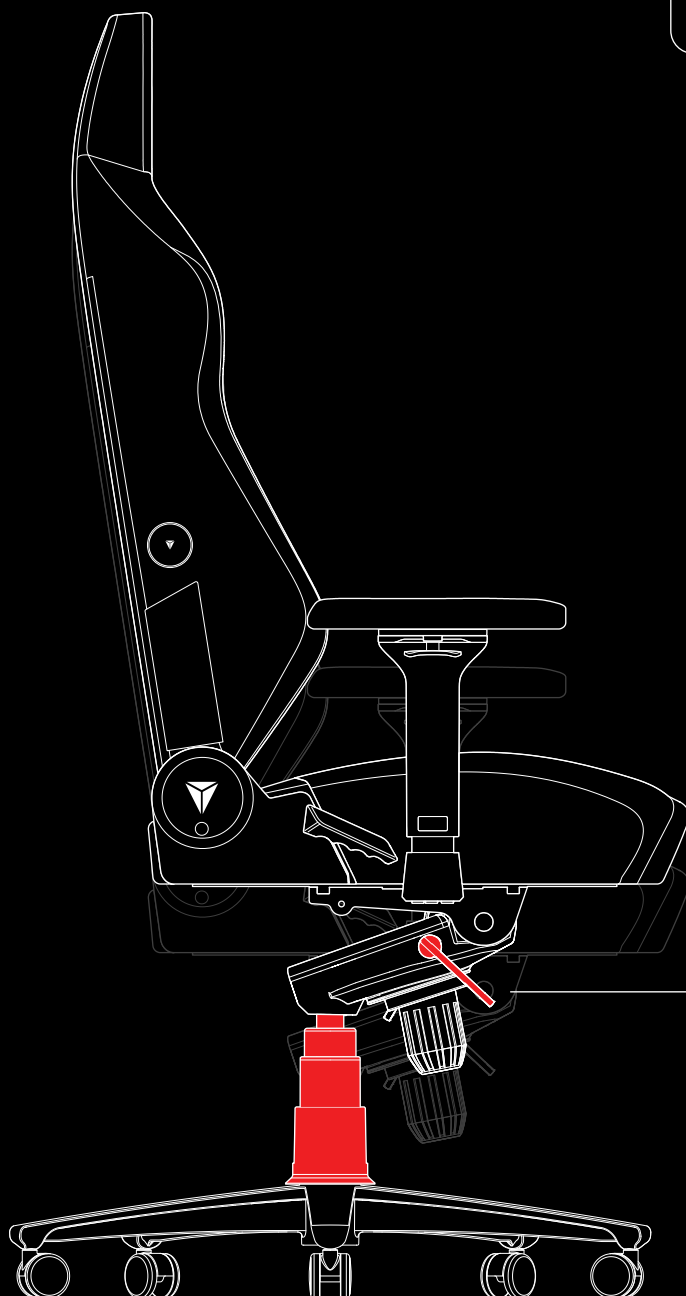
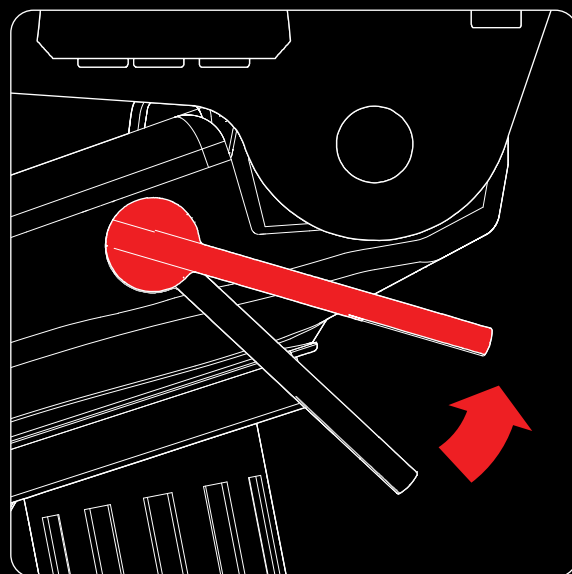
- 01 Shift your weight off the backrest slightly and pull up fully on the lever.
- 02 Lean back slowly until the backrest is at your desired angle.
- 03 Slowly return the lever to its starting position. Ensure that the lever locks back in place.



B Height Adjustment

Adjustment Range: 7.5 cm (S and R)
9.5 cm (XL)

- 01 To lower the height of your chair, pull up on the height adjustment lever while seated. Release the lever when you have reached the desired height.
- 02 To raise the height of your chair, pull up on the height adjustment lever with your weight off the chair. Release the lever when you have reached the desired height.



C Multi Tilt Adjustment

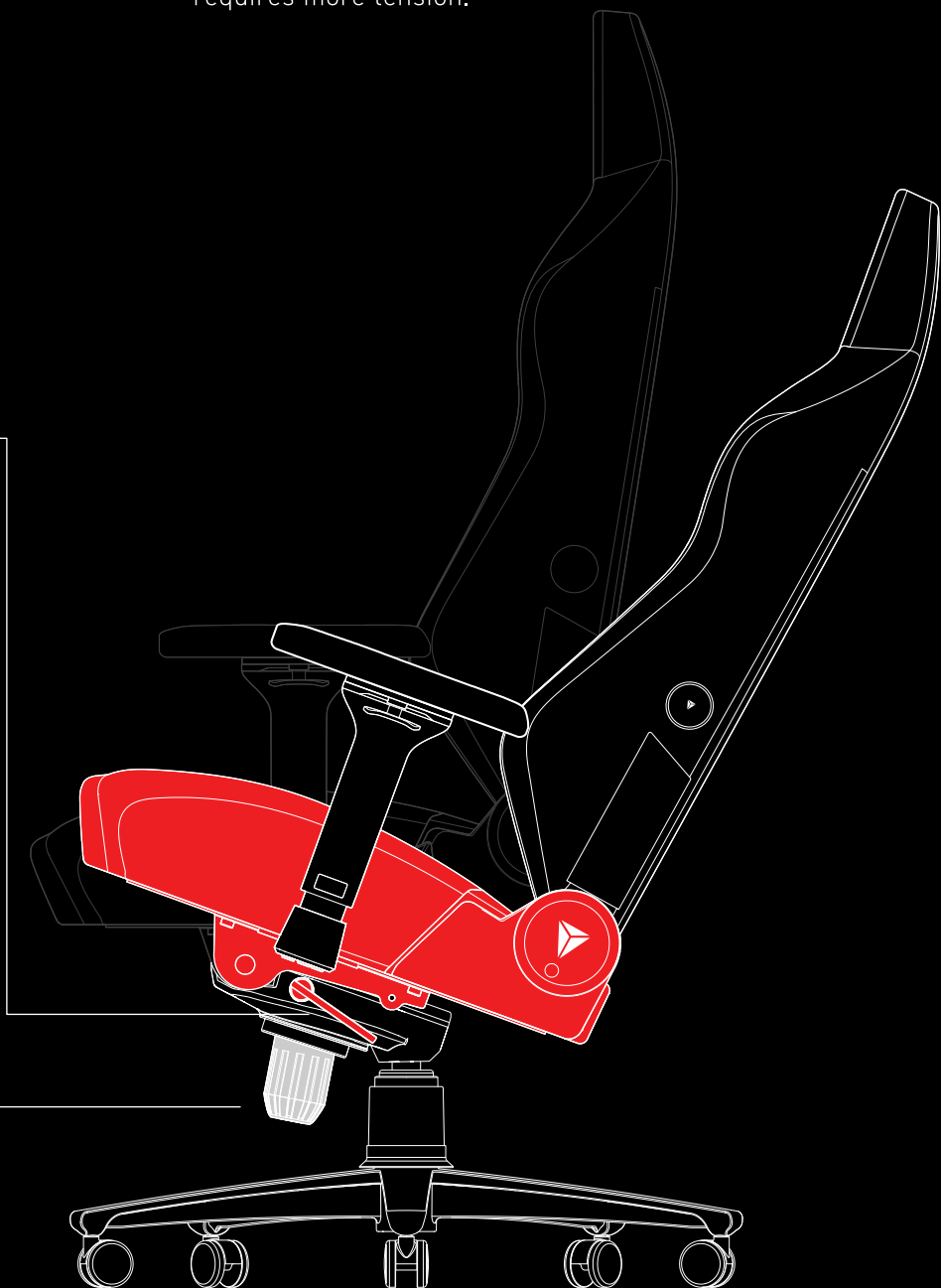
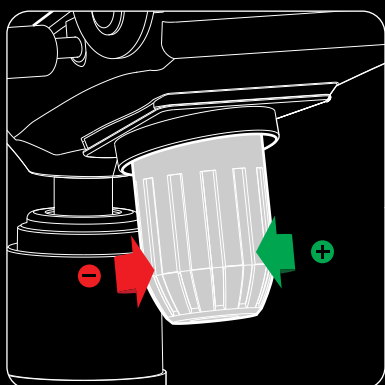
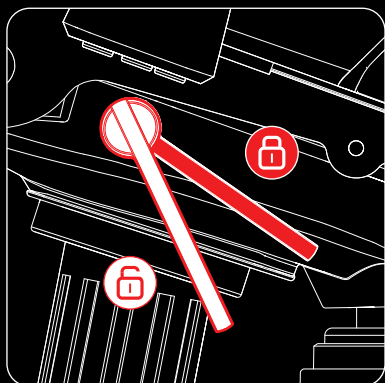
Adjustment Range: 0-30°

Tilt Angle

- 01 Push down on the tilt lever handle to unlock the multi-tilt mechanism.
- 02 Lean your weight back slowly until the seatbase is at your desired angle.
- 03 Pull up on the tilt lever handle to lock the seatbase tilt angle.

Tilt Tension

- 01 Turn the tension knob clockwise to loosen the rocking tension of the chair. Anti-clockwise to tighten.
- 02 Adjust according to your weight, more weight requires more tension.

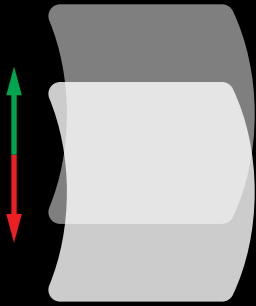


USAGE GUIDE

D L-ADAPT™ Lumbar Support Adjustment

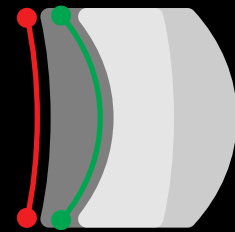


Do not put weight on the backrest when adjusting your lumbar support.
Do not turn the knobs past their maximum and minimum points.
Do not attempt to turn both knobs at the same time.



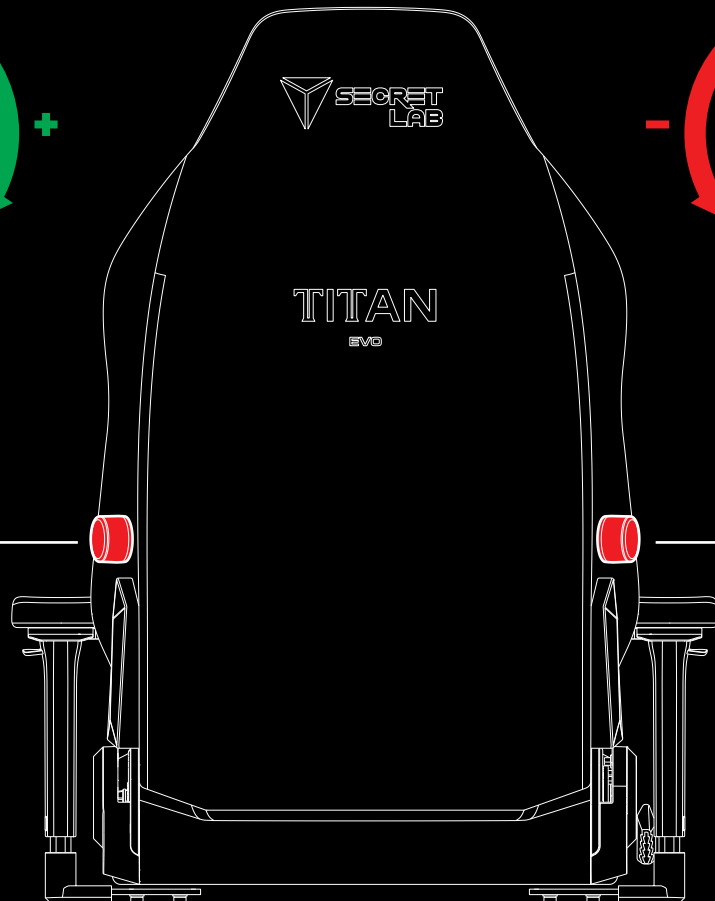
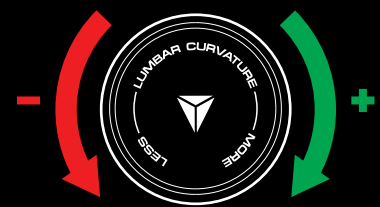
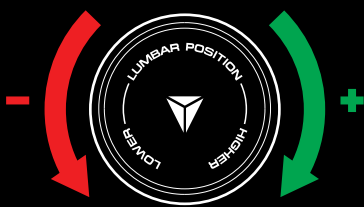
Height Adjustment

Turn the knob anti-clockwise to lower the height of the lumbar support, and clockwise to raise it.

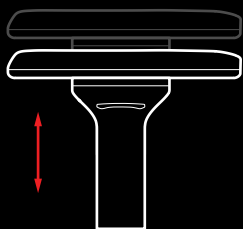
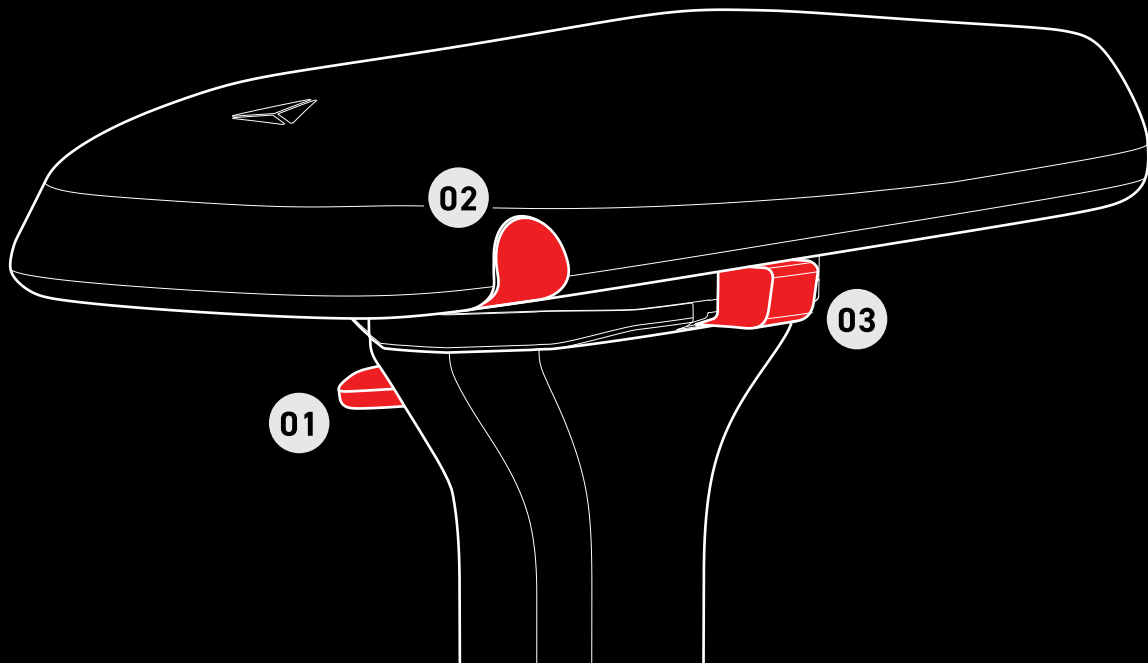


Curvature Adjustment

Turn the knob anti-clockwise to decrease the curvature of the lumbar support, and clockwise to increase it.

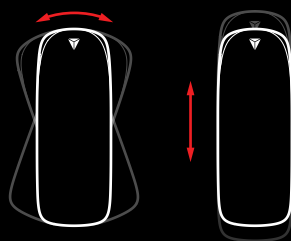


E Armrests Adjustment



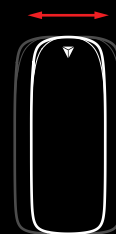
01 Height Lever

Pull the lever up and adjust to your desired height. Release to lock in the height.



02 Front Button

Press the button to adjust the angle and front-back position. Release to lock the position.



03 Inner Side Button

Press the button to adjust the side-side position. Release to lock the position.

AFTERCARE

Usage and Safety Instructions

Upholstery Care

Mechanical Components

Troubleshooting

Important Magnet Safety Information

USAGE AND SAFETY INSTRUCTIONS



Follow the usage instructions

Improper use can damage your chair, or worse, cause injuries. Always use your chair safely.



Minimize exposure to perspiration

Perspiration is acidic and constant exposure can degrade the leatherette's top coating. Remove perspiration and dirt by regularly wiping down your chair with a slightly damp cloth.



Avoid direct contact with bare skin

The build up of body oil and friction from direct contact with your skin affects the pH value of the leatherette and can degrade its protective coating over time. Avoid constant contact with bare skin, especially in warm, humid environments.



Keep away from fluids

Any form of moisture is detrimental to your chair's upholstery. Immediately clean up any spills and only sit on your Secretlab chair after you have completely dried off from your shower.



Don't abuse it

Even the toughest of chairs cannot withstand rough and improper use. Keep your chair away from impacts, drops, and sharp objects.



Keep away from direct heat

Exposure to high heat, such as from a hairdryer, can compromise the leatherette's top coating, affecting its durability, shine or color. Keep your chair in a cool and dry place.



Keep pets away

Claws and teeth can damage the upholstery and other soft parts of your chair. Do take extra care around your pets.



Avoid wearing dark colored clothing on light colored chair

Light-colored upholsteries look great when brand new, but more care and maintenance is needed to keep them looking clean. To minimize staining your chair upholstery, avoid wearing dark-colored clothing and denim jeans while using your chair, and clean your chair more frequently with an upholstery cleaner.



Avoid exposure to direct UV and sunlight

Direct exposure to sunlight can cause the pigments in leatherette to fade over time, leading to noticeable discoloration. This is especially true for darker colors, which may become dull or washed out, and lighter colors, which might yellow or develop uneven patches.



Sit in the center of the chair, with your back to the backrest.



Do not sit at the front edge of the chair.



Do not stand on the chair.



Do not use the chair with more than one person.



Do not push the chair around when a person is sitting on it.



Do not push down on the backrest when a person is reclined.



Do not place all your weight on the backrest only.



Do not place your hand or fingers near the recline mechanism.



Keep the red recline safety tab screwed in place to prevent accidental backrest adjustments when there is a child around.

UPHOLSTERY CARE

While a damp cloth will suffice to clean your Secretlab chair in most cases, we recommend using our specially formulated upholstery cleaners and wipes from our web store for the most thorough removal of dirt and stains.

Secretlab NanoGen™ / NEO™ Hybrid Leatherette

Secretlab NanoGen™ / NEO™ Hybrid Leatherette are resistant to stains and easy to clean. For dirt and stains simply wipe the leather clean using a cloth slightly dampened with water immediately. Leave the chair to air dry completely after cleaning. Vacuum to remove loose particles or dirt. To avoid scratching the leatherette, exercise care when vacuuming and use a soft brush attachment.

For more effective cleaning, use a leather cleaning product such as our **Secretlab Premium Leather Cleaner**. Spray a small amount onto a clean microfiber cloth and gently wipe the leather upholstery.

For quick, regular maintenance, we recommend our **Secretlab Leather Wipes**. Wipe down your chair and allow it to fully air dry before using.



Secretlab SoftWeave® Plus

Vacuum fabric to remove loose particles or dirt. Spills should be immediately soaked up with a dry absorbent cloth or paper towel. DO NOT rub the stain into the fabric or use hot water as this may set the stain.

A fabric cleaner, such as our **Secretlab Premium Deep Cleaning Fabric Foam Cleaner**, may be used to clean stubborn spots. Spray a small amount onto a clean microfiber cloth and gently wipe the affected area.

For quick, regular maintenance, we recommend our **Secretlab SoftWeave® Fabric Wipes**. Wipe down your chair and allow it to fully air dry before using.



Secretlab NAPA Leather

Genuine animal hide requires extra care as real leather is not water-resistant due to the pores found on its surface. Immediately clean up any spills. Use a dry, absorbent cloth or paper towel to soak up any liquid, and gently wipe down with a microfiber cloth slightly dampened with water.

Vacuum to remove loose particles or dirt. To avoid scratching the leather, exercise care when vacuuming and use a soft brush attachment. For best results, apply a **high-quality leather conditioner** often, or at least once every three months to keep the leather fresh and supple.

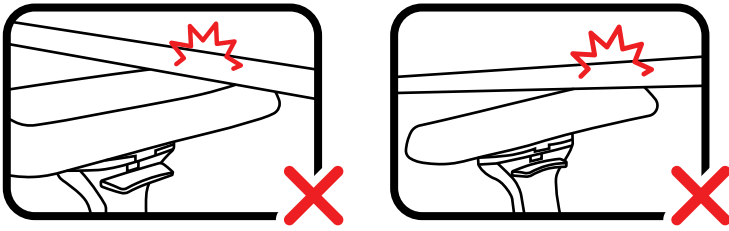
Secretlab Microsuede

Some Secretlab chair variants feature microsuede accents. Unlike Secretlab NEO™ Hybrid Leatherette, microsuede is not water-resistant, so keep it away from water.

To remove loose particles and dirt, use a **dry microfiber cloth to wipe against the grain of the microsuede**. Any spills should be promptly soaked up with a dry, absorbent cloth or paper towel.

MECHANICAL COMPONENTS

4D Armrests with CloudSwap™ Technology



Ensure your armrests are not wedged under the desk when you push your chair in and avoid setting the armrests at a height that will cause the armrest tops to come into contact with the bottom of your desk when you tilt your seat.

Improper usage can damage your armrest or even cause injuries. Friction or compression against tables or heavy objects over long periods of time can compromise the armrest top's structural integrity, affecting its durability. Keep your armrests away from heavy objects, impacts, and sharp objects.

Prolonged exposure to perspiration and body oils may increase the speed of wear of your armrest tops over time. To keep them clean and prevent the build-up of perspiration and body oils, wipe your armrest covers down regularly with an upholstery cleaner or a damp cloth and allow them to air-dry.

Hydraulic Piston

Secretlab chairs are equipped with Class 4 hydraulic pistons and are tested and certified for durability and reliability. However, the lubricant within the hydraulic piston may settle at the bottom of the piston over time and will require a simple lubricant redistribution to ensure constant smooth performance. To do so, please follow the steps below:

- 01** Raise the height of the chair to its highest position and back down to its lowest position while seated. Repeat this step for a minimum of **10 times**.
- 02** While seated, adjust the chair's height to its lowest position and slowly rotate the chair **clockwise** for **5 full turns**.
- 03** While still remaining seated with the chair at its lowest height, slowly rotate the chair **anti-clockwise** for **5 full turns**.

Other Components

Components such as the armrests and multi-tilt mechanism should not require regular maintenance, as long as they are used as intended. Should you encounter any issues with these parts, please reach out to us for help. If your chair is still within its warranty period, do contact us at secretlab.co/contact to see if the issue is covered.

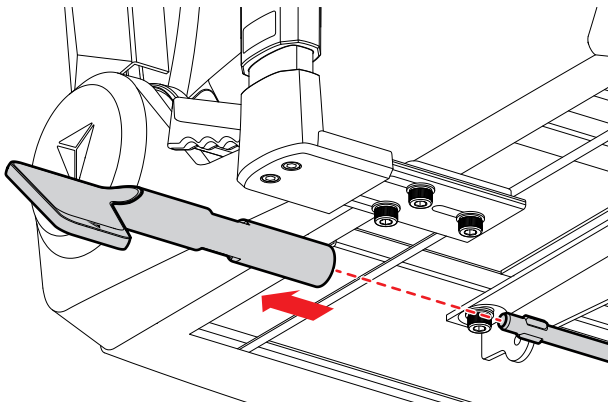
TROUBLESHOOTING

If you experience the following issues, simply follow the steps described below. If the issues continue to persist, do not hesitate to contact us at www.secretlab.co/contact, and our expert support team will get back to you as soon as possible!

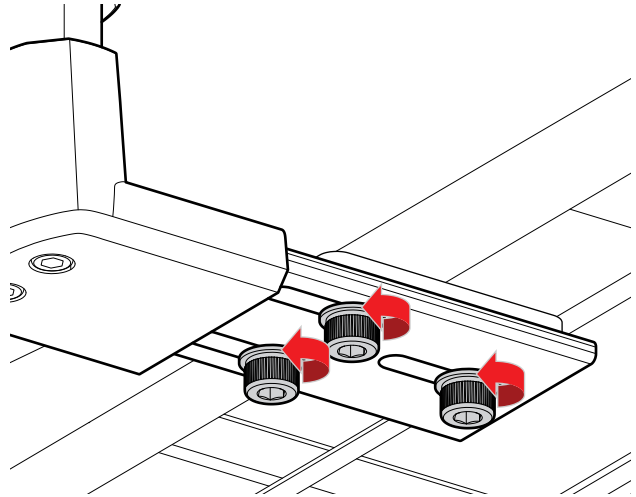
Asymmetrical Armrest Width

As the armrests are pre-installed on the seat base, it is normal for the armrest distances to vary. The right armrest (when seated on the chair) is installed slightly further out to accommodate the recline mechanism and lever on the right side of the chair. You can adjust the width of the armrest to make both armrests appear symmetrical.

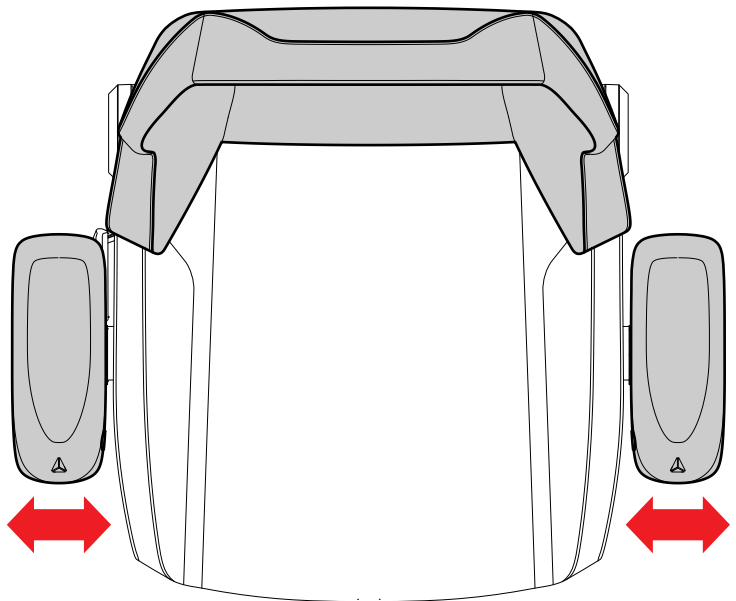
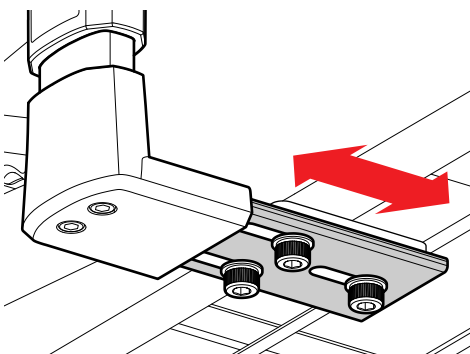
- 01** Remove the adjustment lever handles under the seatbase to have easier access to the three M8 screws that control the width of your armrests.



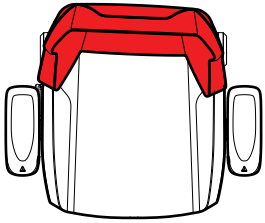
- 02** Loosen the three M8 screws using the allen key provided.



- 03** Slide the metal plate to adjust the armrest width inwards or outwards. Adjust the armrests based on how they look in relation to the chair, instead of the position of the metal plates underneath.



Backrest Misalignment

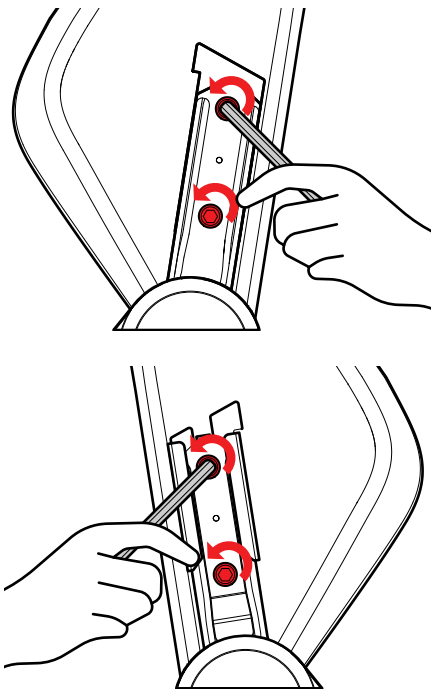


It is possible for this misalignment to occur during the assembly process of the backrest to the seatbase, Steps 5 & 6. The backrest can be secured in such a position that causes the misalignment.

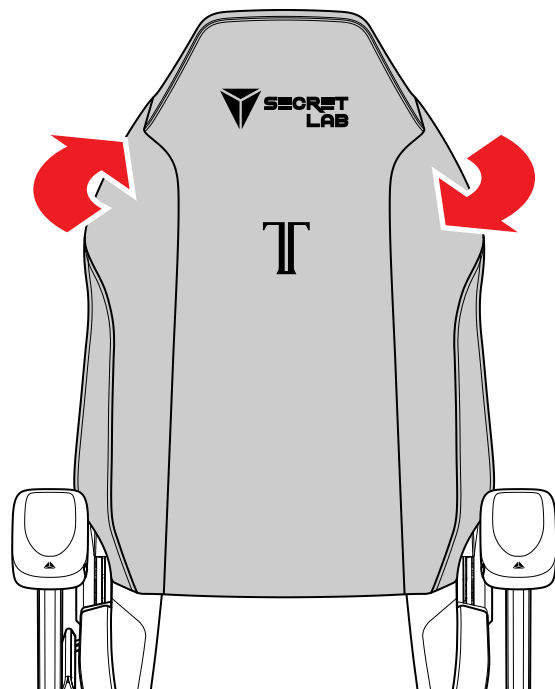


**Easier on
Co-op mode**

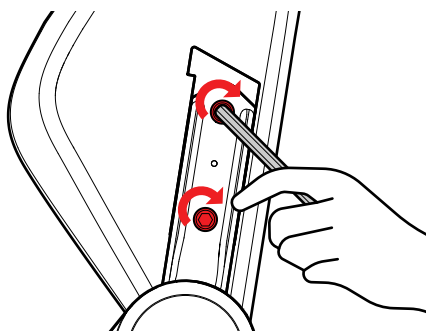
- 01** Loosen all four of the M8 screws that attach the backrest to the seatbase such that there is enough room to wiggle the backrest.



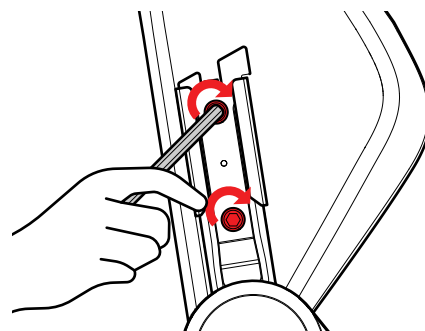
- 02** Pull the right side (while facing the front of the chair) of the backrest towards you, while at the same time pushing the left side of the backrest away from you.



- 03** Adjust the backrest until it is aligned, then hold it in position. While still holding the backrest in position, use the allen key to fully tighten the M8 screws on the **RIGHT** side first.



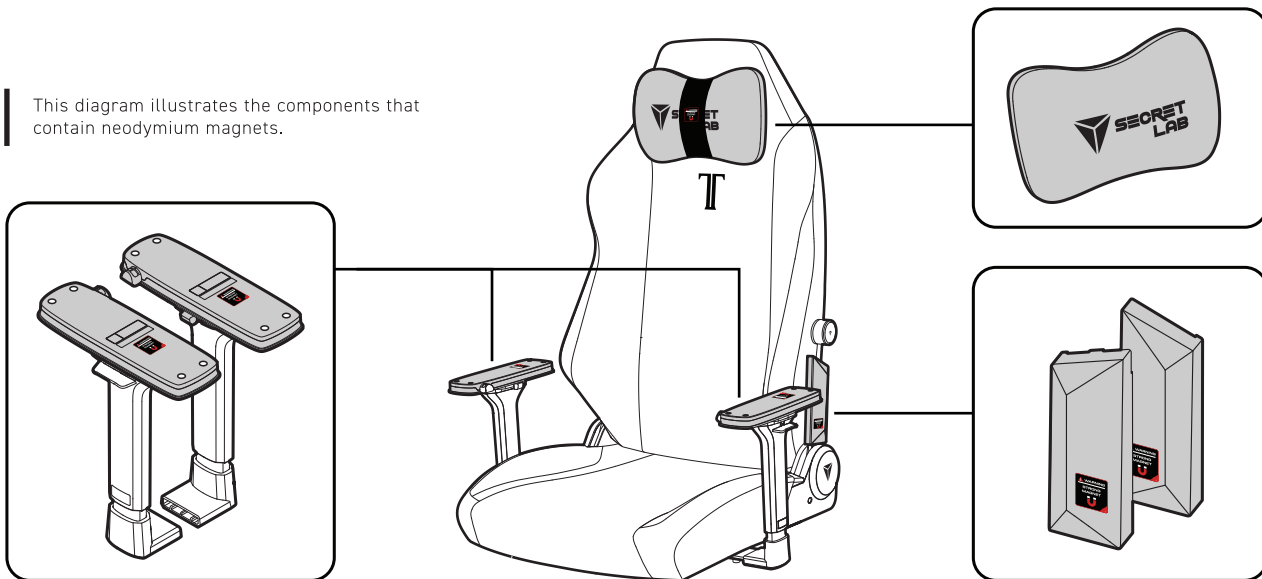
- 04** While holding the backrest in position, fully tighten the M8 screws on the **LEFT** side. You may have to push the left side of the backrest in the direction as shown above, until the desired alignment is achieved.



IMPORTANT MAGNET SAFETY INFORMATION



This manual contains important safety information to help you handle neodymium magnets properly and avoid personal injury and damage to the magnets themselves. Read all the safety information below prior to installation and usage.



Handling

Exercise care when attaching parts with neodymium magnets to avoid being pinched. Neodymium magnets are also brittle. Avoid subjecting them to hard impacts to prevent breakage. If broken, dispose of pieces with care as they may be sharp.

Keep Magnets Away from Children and Pets

To help prevent serious magnet ingestion injuries, keep magnets that are small enough to be swallowed away from children and pets. Small magnets can also pose a choking hazard. Seek immediate medical attention if magnets are swallowed or inhaled.

Magnetic Media

Keep away from devices and products that can be damaged by strong magnetic fields (e.g. computer hard drives, credit cards and cassette tapes).

Medical Device

Neodymium magnets can interfere with pacemakers and other implanted medical devices. We recommend consulting your physician and medical device manufacturer for information specific to your medical device and whether you would need to maintain a minimum distance between your medical device and our product.

Allergies

Avoid contact with neodymium magnets if you have a nickel allergy.

Machining and Drilling

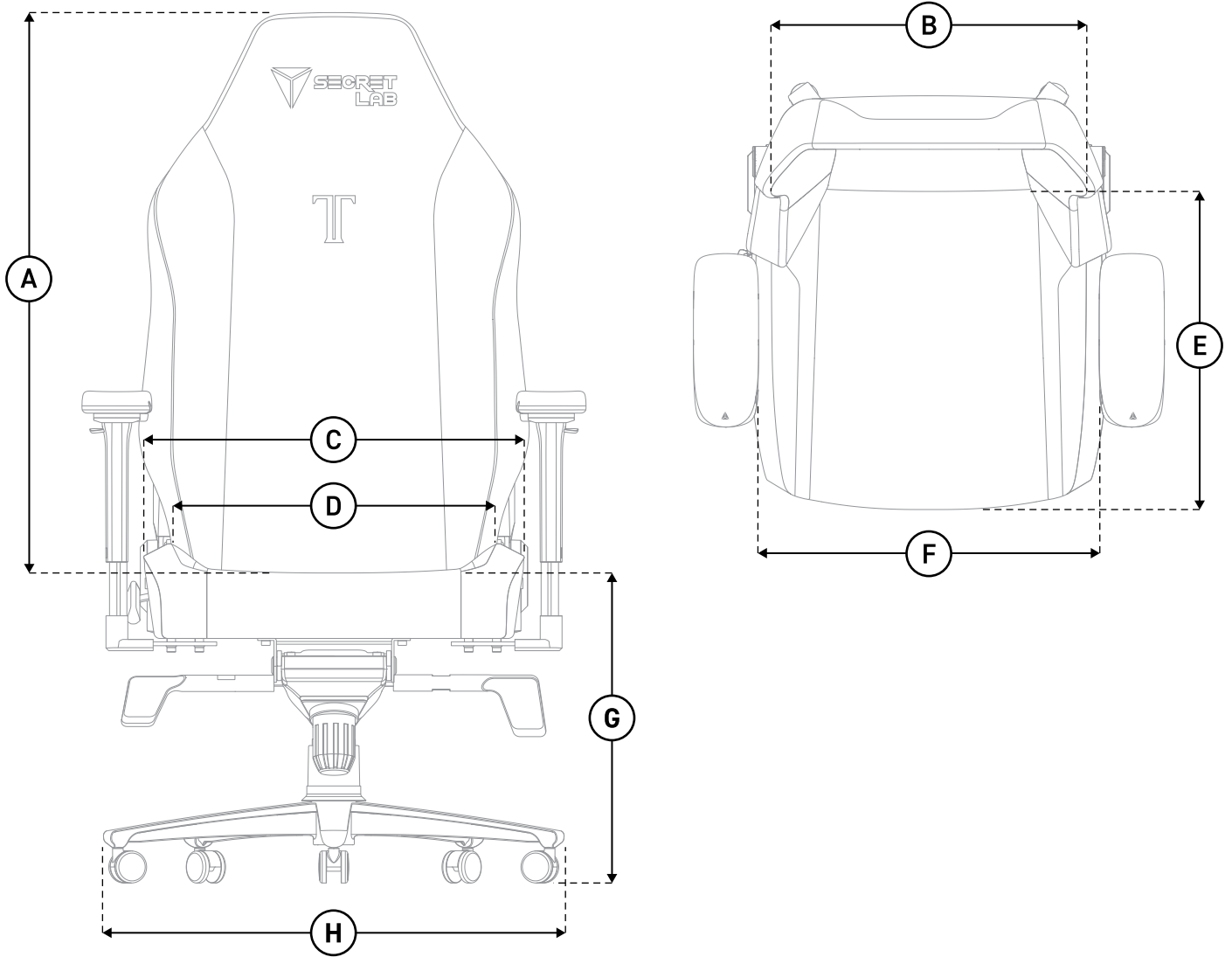
Do not drill or attempt to modify the magnets as neodymium magnet dust and powder are highly flammable.

Maintenance

Neodymium magnets will retain their magnetism and integrity for decades when handled, utilised and protected properly.

CHAIR SPECIFICATIONS

DIMENSIONS



Specification	Small (cm/in)	Regular (cm/in)	X-Large (cm/in)
A Backrest Length	82 / 32.3	85 / 33.5	89 / 35.0
B Backrest Width	51 / 20.0	53 / 21.0	56 / 22.0
C Seatbase Width (incl. Sides)	53 / 20.9	56 / 22.0	58 / 22.8
D Seatbase Width	45 / 17.7	47 / 18.5	49 / 19.3
E Seat Depth	48 / 18.9	49 / 19.3	50 / 19.7
F Armrest to Armrest	62 - 70 / 24.4 - 27.6	66 - 74 / 26.0 - 29.1	69.5 - 77.5 / 27.4 - 30.5
G Floor to Seatbase	45 - 52 / 17.7 - 20.5	45 - 52 / 17.7 - 20.5	46 - 55.5 / 18.1 - 21.9
H Wheelbase Diameter	70 / 27.6	70 / 27.6	80 / 31.5

SPECIFICATIONS

Recommended Size

Specification	Small	Regular	X-Large
Height	< 170 cm (5ft6in)	170 - 189 cm (5ft7in - 6ft2in)	181 - 205 cm (5ft11in - 6ft9in)
Weight	< 90 kg (200 lb)	< 100 kg (220 lb)	80 - 180 kg (175 - 395 lb)
Maximum Load	130 kg (285 lb)	130 kg (285 lb)	180 kg (395 lb)

Construction and Material

Foam Type:	Secretlab Cold Cure Foam Secretlab NanoFoam™ Composite
Frame Construction:	Steel
Available Upholstery:	Secretlab NEO™ Hybrid Leatherette Secretlab NanoGen™ Hybrid Leatherette Secretlab SoftWeave® Plus Fabric Secretlab NAPA Leather
Logo:	Machine Embroidery, TPU
Head Pillow†:	Magnetic Head Pillow, Memory Foam with Cooling Gel
Hydraulic Gas Piston*:	Class 4
Wheelbase:	Aluminum Alloy (ADC12)
Caster:	PU Coated

Adjustability

Lumbar Support:	In-built 4-way L-ADAPT™ Lumbar Support System
Armrests†:	4-Directional, Full-metal Mechanism with CloudSwap™ Replacement System <i>*Heavy-duty Edition Armrest included for NanoGen™ Edition</i>
Armrest Top:	Soft PU Coated: 27cm (L) x 10cm (W), CloudSwap™ Compatible <i>*PlushCell Armrest Top included for NanoGen™ Edition</i>
Multi-tilt Mechanism:	Tilt Lock Tilt Angle Lock
Recline (Tilt unlocked):	High-grade Spring; 85-165°

* Heavy-duty hydraulic piston only for XL size.

† Component contains neodymium magnets.

Manufacturer

SECRETLAB SG PTE. LTD.

351 Braddell Rd, #05-02, Singapore 579713

Contact Details

SECRETLAB NL B.V.

Siriusdreef 17, 2132 Wt Hoofddorp, The Netherlands

<https://secretlab.co/pages/contact>