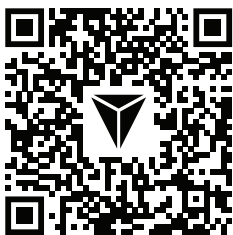


ASSEMBLY GUIDE



Assembly Video

Scan the QR code or visit
<https://secretlab.co/assembly-video-titan-evo-2022>
to watch our full assembly video.

Before you start



Check your parts

Remove all parts from the box, checking that none of the parts are missing.



Use the foam

Assemble the chair on the foam sheets provided to protect your floor.



Easier on Co-op mode

Having a friend to help can make the assembly process even easier.

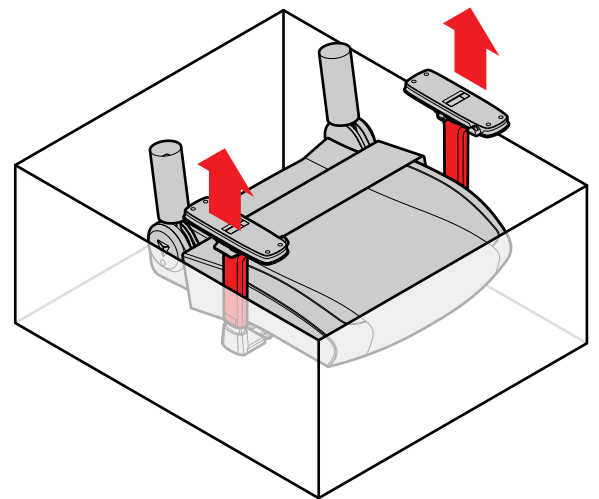
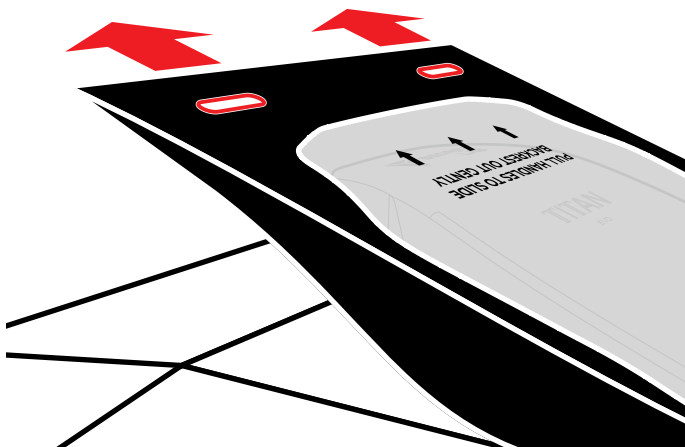


Need help?

Contact us if you experience any issues.

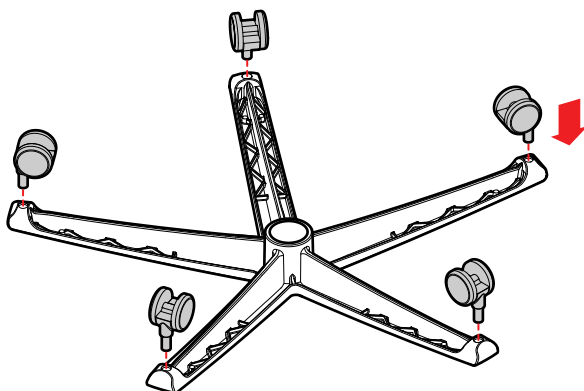
01

Using the handles on the backrest heat-seal bag, gently slide the backrest out of the packaging box. Lift the seatbase by grabbing onto the stems of the armrests. Lay out the foam sheets provided and remove all remaining parts.



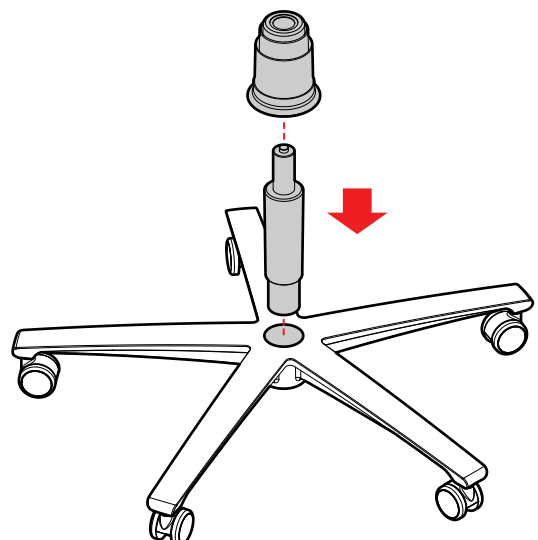
02

Place the wheelbase upside down on top of the foam sheet and insert all 5 casters.

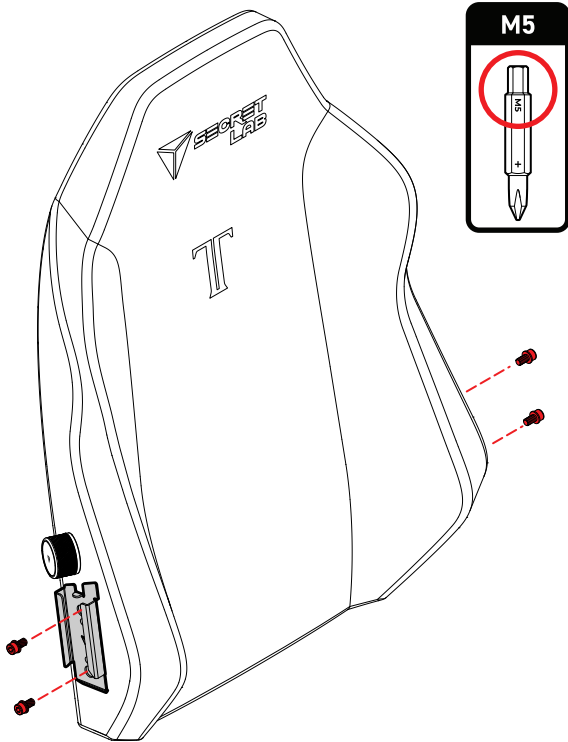


03

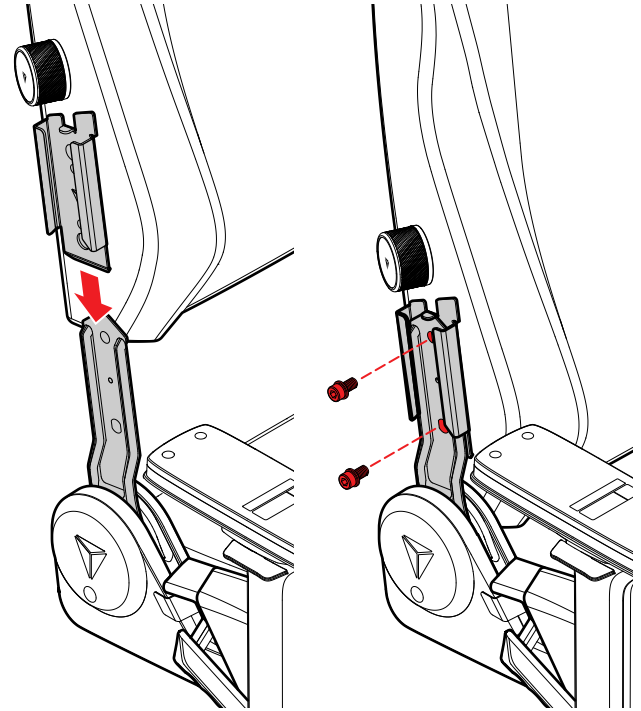
Turn the wheelbase right side up and insert the hydraulic piston. Slide the hydraulic sleeve over the piston.



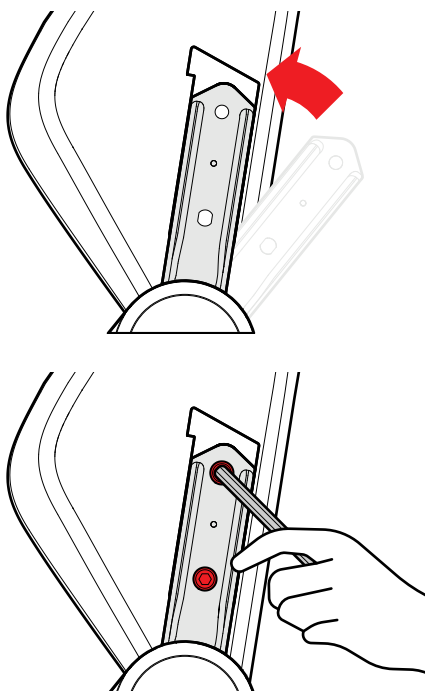
04 Remove the 4 M8 screws pre-installed in the backrest using the hex side of the screwdriver or allen key.



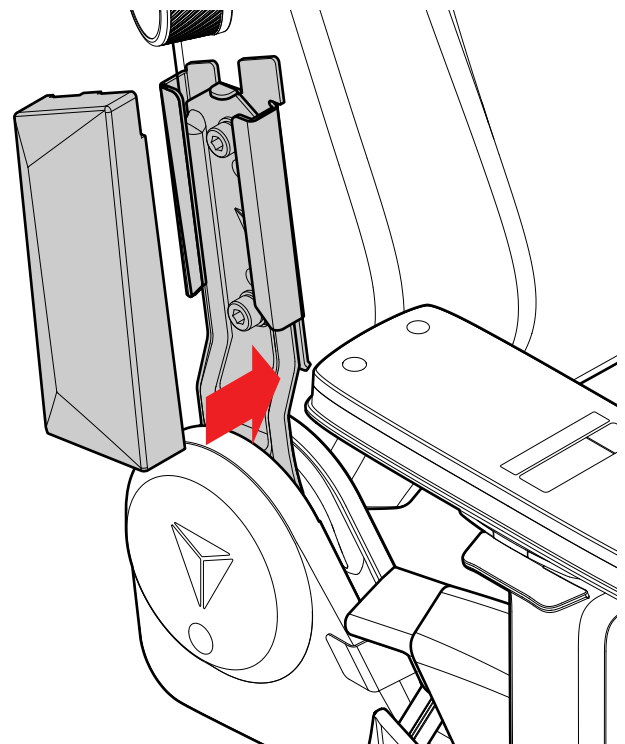
05 Slide the backrest bracket on the right down onto the right recline bracket until it comes to a stop. Insert the M8 screws (from Step 4) and screw them in halfway.



06 Push the left recline bracket up to align with the screw holes on the left of the backrest. Insert the M8 screws and fully tighten all 4 screws on both sides with the long allen key.

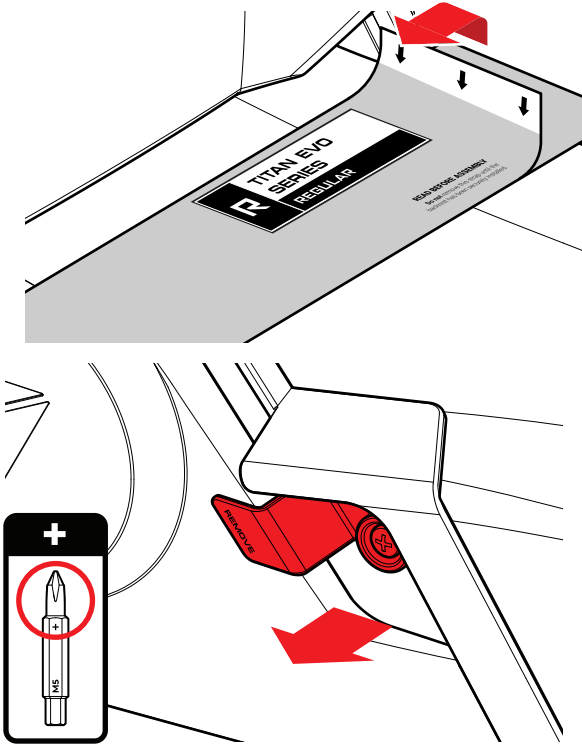


07 Install the magnetic side covers by aligning them on top of the backrest brackets on both sides. They will magnetically snap into place.

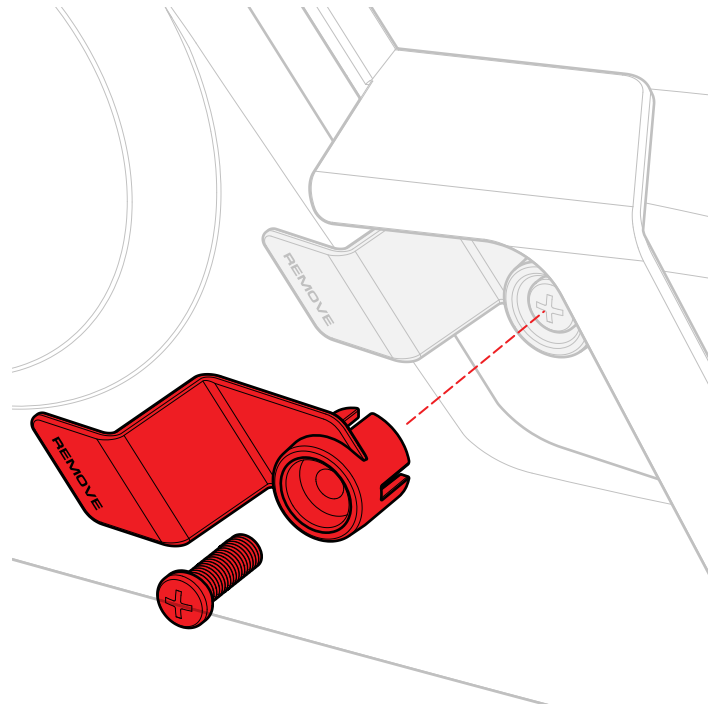


ASSEMBLY GUIDE

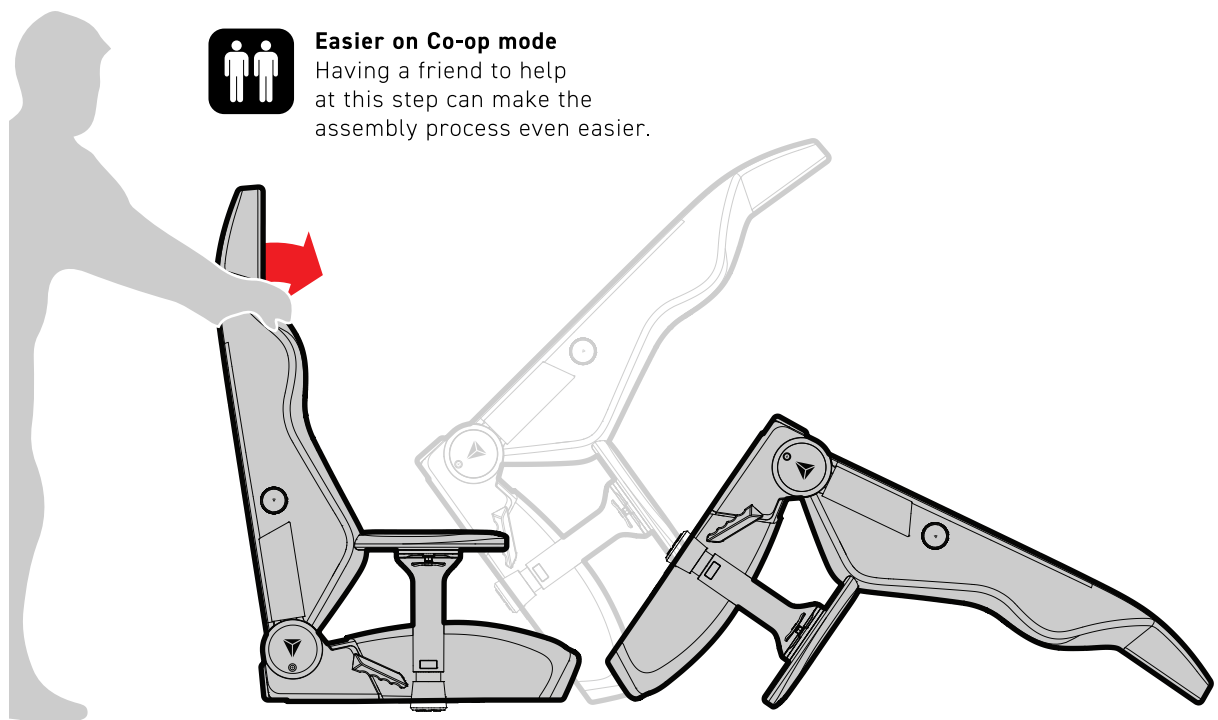
08 Remove the recline strap. Next, use the Phillips screwdriver to remove the red screw marked out by the red safety tab on the right recline cover.



09 Remove the red safety tab. This allows the recline mechanism to be used.
Note: Do not discard the recline safety tab and screw as it can be used for child safety

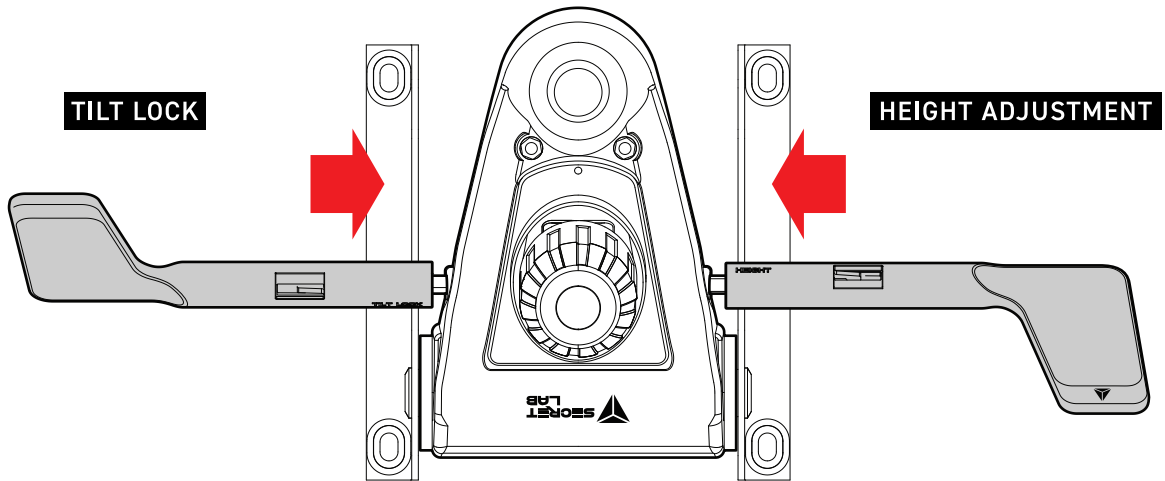


10 Lift the chair and gently set it facing downwards as shown.

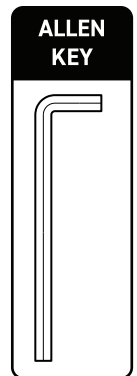
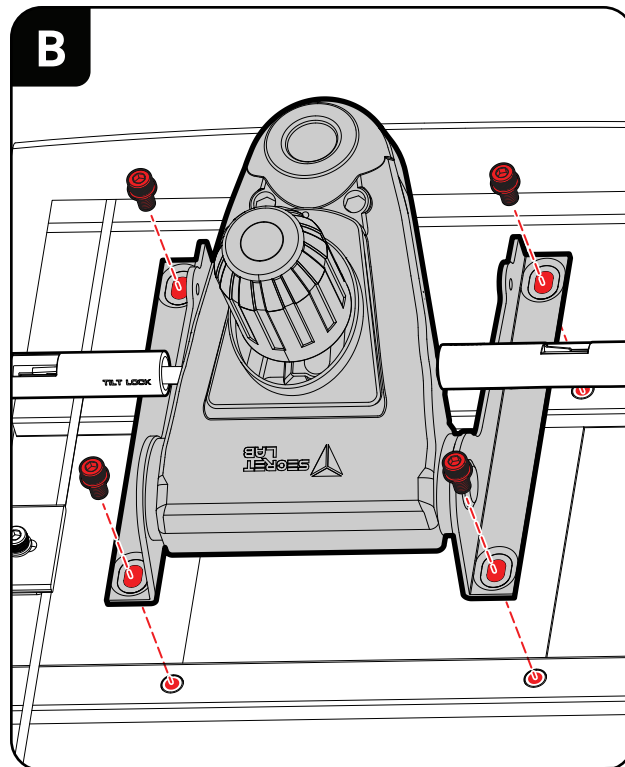
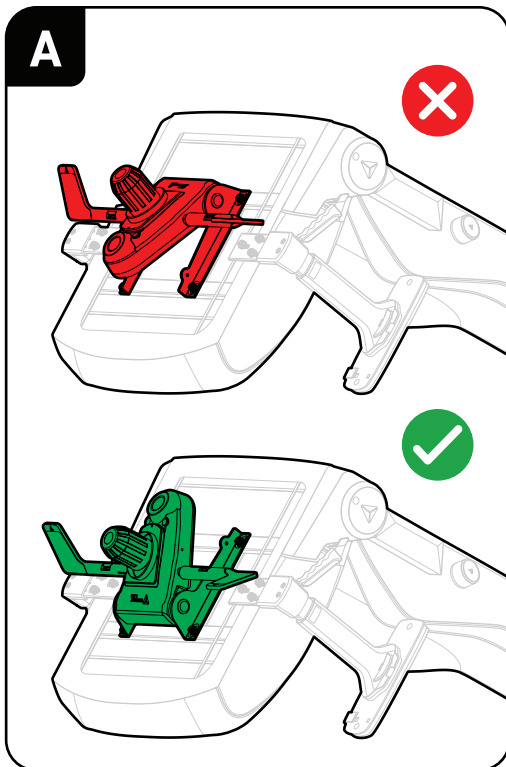


Easier on Co-op mode
Having a friend to help at this step can make the assembly process even easier.

- 11** Refer to the sticker label under the seatbase for the correct orientation of the lever handles. Line up the grooves on the inside of the lever handles with the notches and fully insert them into the shafts.

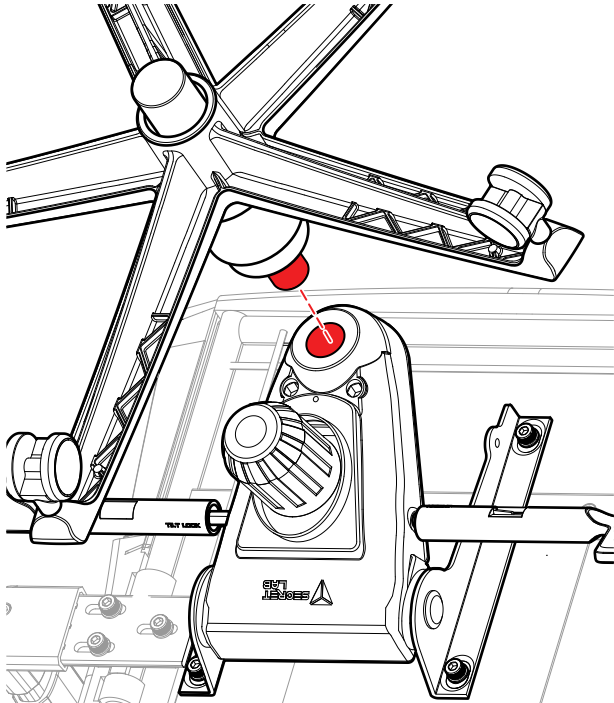


- 12** A. Ensure the multi-tilt mechanism is facing the correct direction.
B. Attach the multi-tilt mechanism to the bottom of the seatbase using the 4 M8 screws provided. Tighten all 4 full using the allen key.

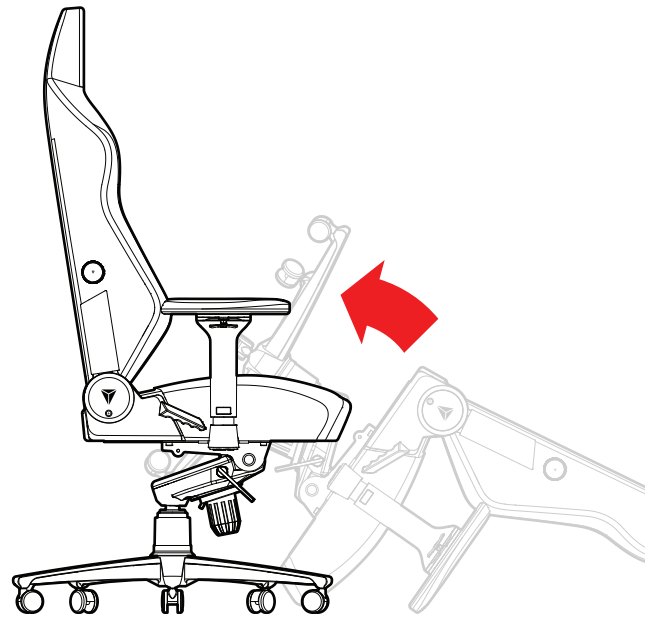


ASSEMBLY GUIDE

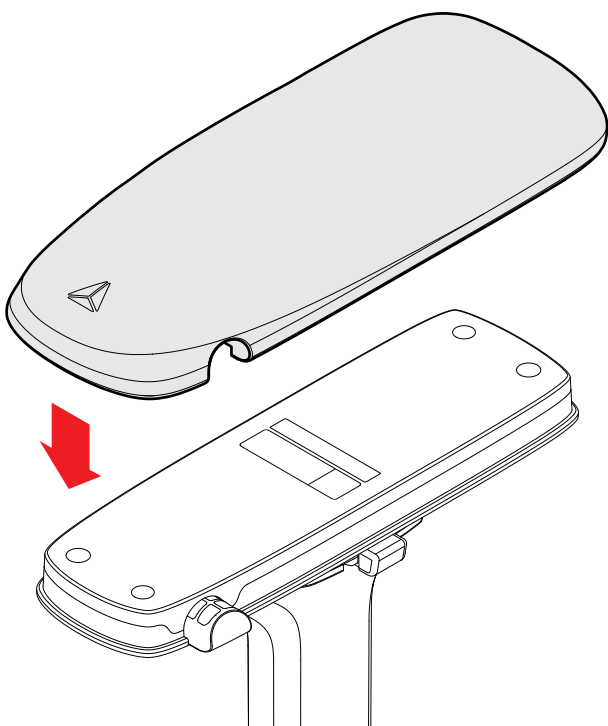
13 Lift the assembled wheelbase and insert the hydraulic piston into the socket of the multi-tilt mechanism.



14 Carefully tilt the chair upright while holding the wheelbase.



15 Install the Secretlab Armrest Tops (CloudSwap™ compatible) onto the armrests. They will snap in place magnetically.



16 Place the magnetic head pillow on the backrest as shown and it will magnetically attach itself. Your Secretlab chair is now fully assembled!

