

AFTERCARE

Usage and Safety Instructions

Upholstery Care

Mechanical Components

Troubleshooting

Important Magnet Safety Information

USAGE AND SAFETY INSTRUCTIONS



Follow the usage instructions

Improper use can damage your chair, or worse, cause injuries. Always use your chair safely.



Minimize exposure to perspiration

Perspiration is acidic and constant exposure can degrade the leatherette's top coating. Remove perspiration and dirt by regularly wiping down your chair with a slightly damp cloth.



Avoid direct contact with bare skin

The build up of body oil and friction from direct contact with your skin affects the pH value of the leatherette and can degrade its protective coating over time. Avoid constant contact with bare skin, especially in warm, humid environments.



Keep away from fluids

Any form of moisture is detrimental to your chair's upholstery. Immediately clean up any spills and only sit on your Secretlab chair after you have completely dried off from your shower.



Don't abuse it

Even the toughest of chairs cannot withstand rough and improper use. Keep your chair away from impacts, drops, and sharp objects.



Keep away from direct heat

Exposure to high heat, such as from a hairdryer, can compromise the leatherette's top coating, affecting its durability, shine or color. Keep your chair in a cool and dry place.



Keep pets away

Claws and teeth can damage the upholstery and other soft parts of your chair. Do take extra care around your pets.



Avoid wearing dark coloured clothing on light coloured chair

Light-colored upholsteries look great when brand new, but more care and maintenance is needed to keep them looking clean. To minimize staining your chair upholstery, avoid wearing dark-colored clothing and denim jeans while using your chair, and clean your chair more frequently with an upholstery cleaner.



Avoid exposure to direct UV and sunlight.

Direct exposure to sunlight can cause the pigments in leatherette to fade over time, leading to noticeable discoloration. This is especially true for darker colors, which may become dull or washed out, and lighter colors, which might yellow or develop uneven patches.



Sit in the center of the chair, with your back to the backrest.



Do not sit at the front edge of the chair.



Do not stand on the chair.



Do not use the chair with more than one person.



Do not push the chair around when a person is sitting on it.



Do not push down on the backrest when a person is reclined.



Do not place all your weight on the backrest only.



Do not place your hand or fingers near the recline mechanism.



Keep the red recline safety tab screwed in place to prevent accidental backrest adjustments when there is a child around.

UPHOLSTERY CARE

While a damp cloth will suffice to clean your Secretlab chair in most cases, we recommend using our specially formulated upholstery cleaners and wipes from our web store for the most thorough removal of dirt and stains.

Secretlab NanoGen™ / NEO™ Hybrid Leatherette

Secretlab NanoGen™ / NEO™ Hybrid Leatherette are resistant to stains and easy to clean. For dirt and stains simply wipe the leather clean using a cloth slightly dampened with water immediately. Leave the chair to air dry completely after cleaning. Vacuum to remove loose particles or dirt. To avoid scratching the leatherette, exercise care when vacuuming and use a soft brush attachment.

For more effective cleaning, use a leather cleaning product such as our **Secretlab Premium Leather Cleaner**. Spray a small amount onto a clean microfiber cloth and gently wipe the leather upholstery.

For quick, regular maintenance, we recommend our **Secretlab Leather Wipes**. Wipe down your chair and allow it to fully air dry before using.



Secretlab SoftWeave® Plus

Vacuum fabric to remove loose particles or dirt. Spills should be immediately soaked up with a dry absorbent cloth or paper towel. DO NOT rub the stain into the fabric or use hot water as this may set the stain.

A fabric cleaner, such as our **Secretlab Premium Deep Cleaning Fabric Foam Cleaner**, may be used to clean stubborn spots. Spray a small amount onto a clean microfiber cloth and gently wipe the affected area.

For quick, regular maintenance, we recommend our **Secretlab SoftWeave® Fabric Wipes**. Wipe down your chair and allow it to fully air dry before using.



Secretlab NAPA Leather

Genuine animal hide requires extra care as real leather is not water-resistant due to the pores found on its surface. Immediately clean up any spills. Use a dry, absorbent cloth or paper towel to soak up any liquid, and gently wipe down with a microfiber cloth slightly dampened with water.

Vacuum to remove loose particles or dirt. To avoid scratching the leather, exercise care when vacuuming and use a soft brush attachment. For best results, apply a **high-quality leather conditioner** often, or at least once every three months to keep the leather fresh and supple.

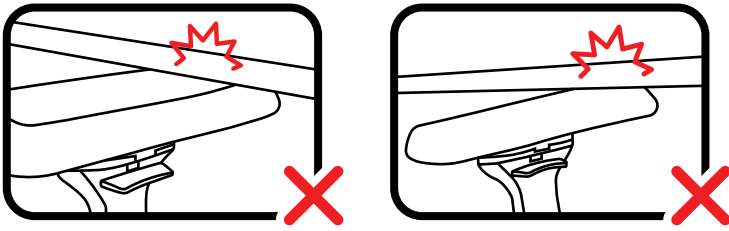
Secretlab Microsuede

Some Secretlab chair variants feature microsuede accents. Unlike Secretlab NEO™ Hybrid Leatherette, microsuede is not water-resistant, so keep it away from water.

To remove loose particles and dirt, use a **dry microfiber cloth to wipe against the grain of the microsuede**. Any spills should be promptly soaked up with a dry, absorbent cloth or paper towel.

MECHANICAL COMPONENTS

4D Armrests with CloudSwap™ Technology



Ensure your armrests are not wedged under the desk when you push your chair in and avoid setting the armrests at a height that will cause the armrest tops to come into contact with the bottom of your desk when you tilt your seat.

Improper usage can damage your armrest or even cause injuries. Friction or compression against tables or heavy objects over long periods of time can compromise the armrest top's structural integrity, affecting its durability. Keep your armrests away from heavy objects, impacts, and sharp objects.

Prolonged exposure to perspiration and body oils may increase the speed of wear of your armrest tops over time. To keep them clean and prevent the build-up of perspiration and body oils, wipe your armrest covers down regularly with an upholstery cleaner or a damp cloth and allow them to air-dry.

Hydraulic Piston

Secretlab chairs are equipped with Class 4 hydraulic pistons and are tested and certified for durability and reliability. However, the lubricant within the hydraulic piston may settle at the bottom of the piston over time and will require a simple lubricant redistribution to ensure constant smooth performance. To do so, please follow the steps below:

- 01** Raise the height of the chair to its highest position and back down to its lowest position while seated. Repeat this step for a minimum of **10 times**.
- 02** While seated, adjust the chair's height to its lowest position and slowly rotate the chair **clockwise** for **5 full turns**.
- 03** While still remaining seated with the chair at its lowest height, slowly rotate the chair **anti-clockwise** for **5 full turns**.

Other Components

Components such as the armrests and multi-tilt mechanism should not require regular maintenance, as long as they are used as intended. Should you encounter any issues with these parts, please reach out to us for help. If your chair is still within its warranty period, do contact us at secretlab.co/contact to see if the issue is covered.

TROUBLESHOOTING

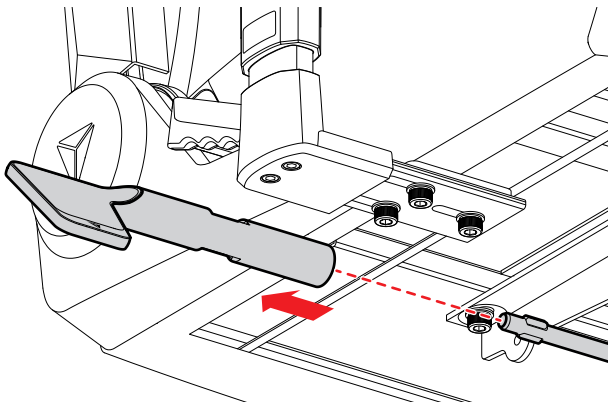
If you experience the following issues, simply follow the steps described below.

If the issues continue to persist, do not hesitate to contact us at www.secretlab.co/contact, and our expert support team will get back to you as soon as possible!

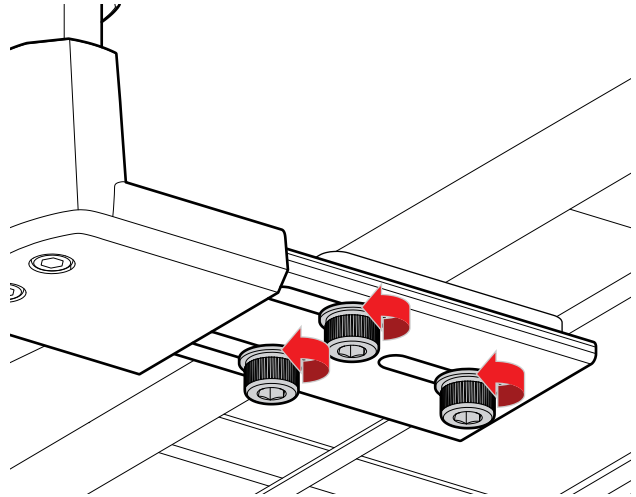
Asymmetrical Armrest Width

As the armrests are pre-installed on the seat base, it is normal for the armrest distances to vary. The right armrest (when seated on the chair) is installed slightly further out to accommodate the recline mechanism and lever on the right side of the chair. You can adjust the width of the armrest to make both armrests appear symmetrical.

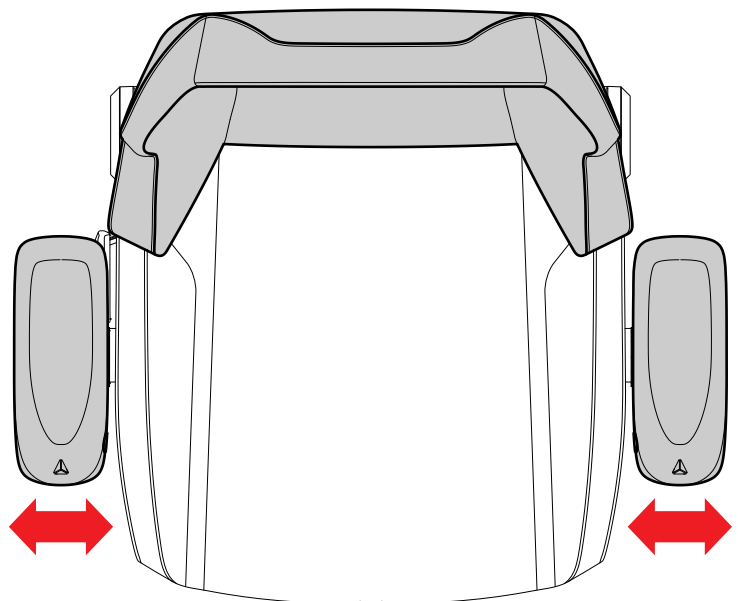
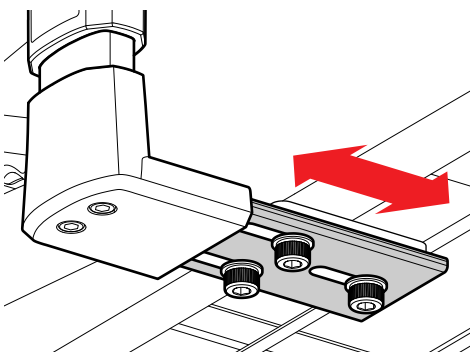
- 01** Remove the adjustment lever handles under the seatbase to have easier access to the three M8 screws that control the width of your armrests.



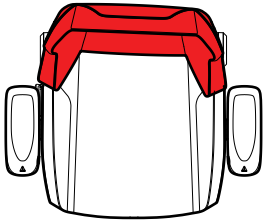
- 02** Loosen the three M8 screws using the allen key provided.



- 03** Slide the metal plate to adjust the armrest width inwards or outwards. Adjust the armrests based on how they look in relation to the chair, instead of the position of the metal plates underneath.



Backrest Misalignment

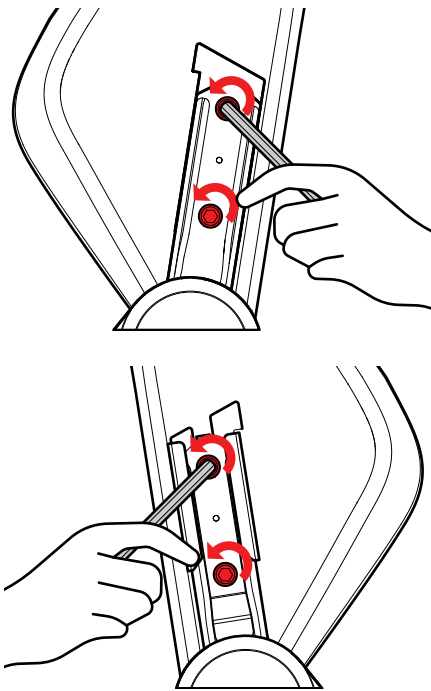


It is possible for this misalignment to occur during the assembly process of the backrest to the seatbase, Steps 5 & 6. The backrest can be secured in such a position that causes the misalignment.

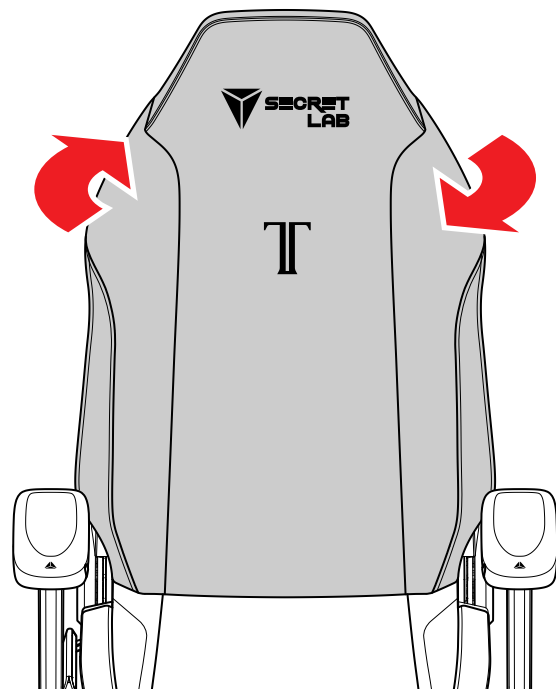


**Easier on
Co-op mode**

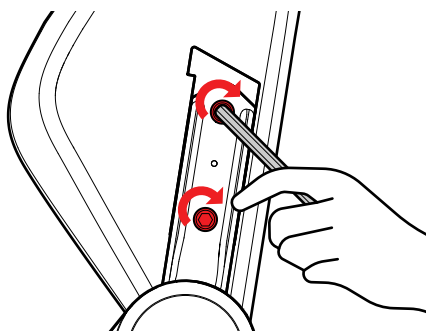
- 01** Loosen all four of the M8 screws that attach the backrest to the seatbase such that there is enough room to wiggle the backrest.



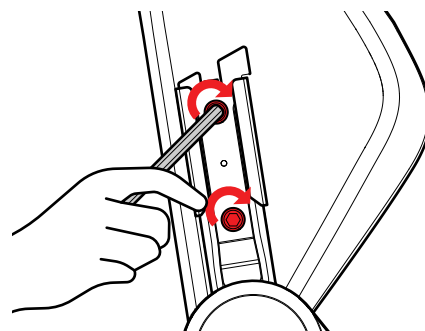
- 02** Pull the right side (while facing the front of the chair) of the backrest towards you, while at the same time pushing the left side of the backrest away from you.



- 03** Adjust the backrest until it is aligned, then hold it in position. While still holding the backrest in position, use the allen key to fully tighten the M8 screws on the **RIGHT** side first.



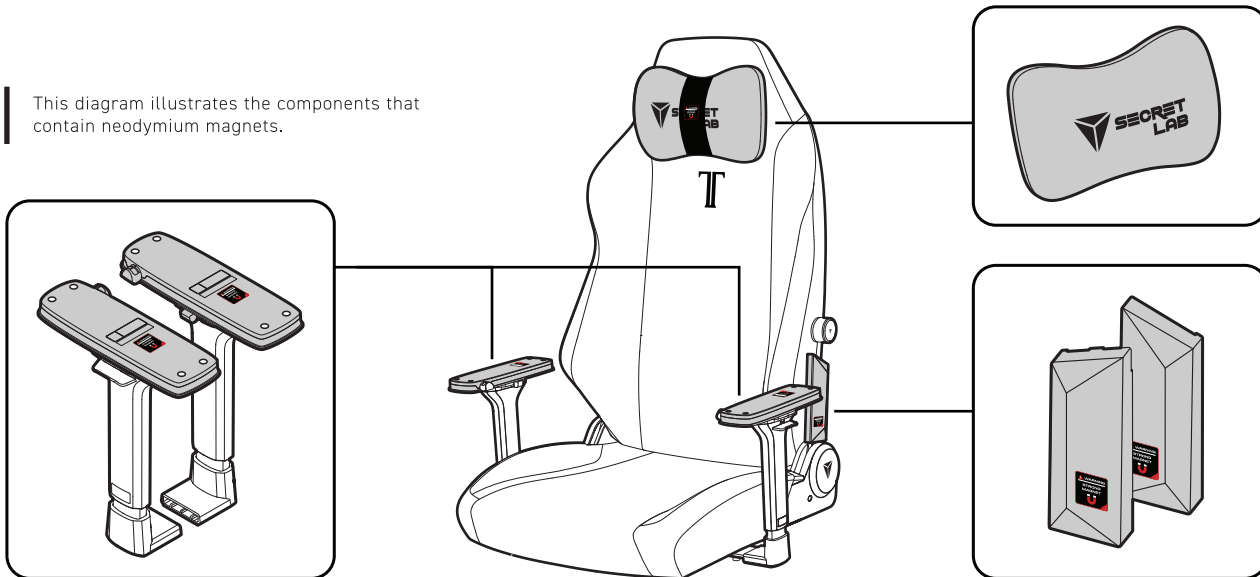
- 04** While holding the backrest in position, fully tighten the M8 screws on the **LEFT** side. You may have to push the left side of the backrest in the direction as shown above, until the desired alignment is achieved.



IMPORTANT MAGNET SAFETY INFORMATION



This manual contains important safety information to help you handle neodymium magnets properly and avoid personal injury and damage to the magnets themselves. Read all the safety information below prior to installation and usage.



Handling

Exercise care when attaching parts with neodymium magnets to avoid being pinched. Neodymium magnets are also brittle. Avoid subjecting them to hard impacts to prevent breakage. If broken, dispose of pieces with care as they may be sharp.

Keep Magnets Away from Children and Pets

To help prevent serious magnet ingestion injuries, keep magnets that are small enough to be swallowed away from children and pets. Small magnets can also pose a choking hazard. Seek immediate medical attention if magnets are swallowed or inhaled.

Magnetic Media

Keep away from devices and products that can be damaged by strong magnetic fields (e.g. computer hard drives, credit cards and cassette tapes).

Medical Device

Neodymium magnets can interfere with pacemakers and other implanted medical devices. We recommend consulting your physician and medical device manufacturer for information specific to your medical device and whether you would need to maintain a minimum distance between your medical device and our product.

Allergies

Avoid contact with neodymium magnets if you have a nickel allergy.

Machining and Drilling

Do not drill or attempt to modify the magnets as neodymium magnet dust and powder are highly flammable.

Maintenance

Neodymium magnets will retain their magnetism and integrity for decades when handled, utilised and protected properly.