



**Secretlab MAGRGB™ Diffused LED Strip  
Smart Lighting Edition**

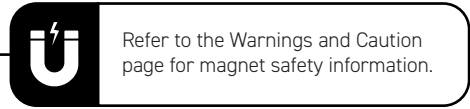
**USER MANUAL**

<b>PACKAGE CONTENTS</b>	_____	Pg. 1
<b>PRODUCT SPECIFICATIONS</b>	_____	Pg. 1
<b>INSTALLATION</b>	_____	Pg. 2 - 3
<b>DOWNLOAD THE APP</b>	_____	Pg. 4
<b>PAIRING YOUR SECRETLAB MAGRGB™</b>	_____	Pg. 5
<b>CONTROLLING YOUR SECRETLAB MAGRGB™</b>	_____	Pg. 6
<b>PROBLEMS &amp; SOLUTIONS</b>	_____	Pg. 7
<b>WARNINGS &amp; CAUTION</b>	_____	Pg. 8 - 9

# PACKAGE CONTENTS

## SECRETLAB MAGRGB™ DIFFUSED LED STRIP (SMART LIGHTING EDITION)

X 1



Refer to the Warnings and Caution page for magnet safety information.



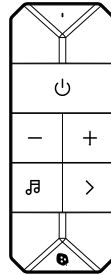
### CONNECTOR CABLE

36 cm  
X 1



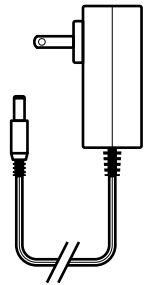
### CONTROLLER BOX

X 1



### POWER ADAPTER

Type A / C / G / I  
X 1



# PRODUCT SPECIFICATIONS

**Models:** NL72S2N15, NL72S2N17

**Input Voltage:** 120V AC, 60Hz

**Models:** NL72S2E15, NL72S2E17

**Input Voltage:** 100-240V~, 50/60Hz

**Dimensions:** 1500mm x 10mm x 16mm, 1740mm x 10mm x 16mm (XL)

### Rated Power:

1500mm x 10mm x 16mm: 17W

1740mm x 10mm x 16mm (XL): 19.5W

**Dimming:** 1%-100% with Nanoleaf App

**Contains FCC ID:** 2AC7Z-ESPC6WROOM1

**Contains IC:** 21098-ESPC6WROOM1



### Manufacturer

NanoGrid Limited  
#1301-483A Castle Peak Road  
Kowloon, Hong Kong

### Nanoleaf Canada

#400 - 100 Front Street East  
Toronto ON M5A 1E1  
Canada

### Nanoleaf Europe SAS

Ruby House, 8 Ruby Place  
Aberdeen AB10 1ZP  
Great Britain

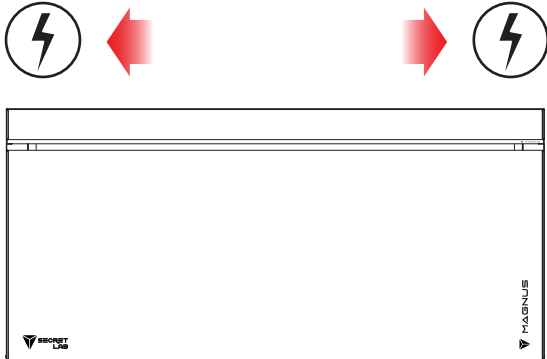
### Nanoleaf Europe SAS

11 Rue de Lourmel  
75015 Paris  
France

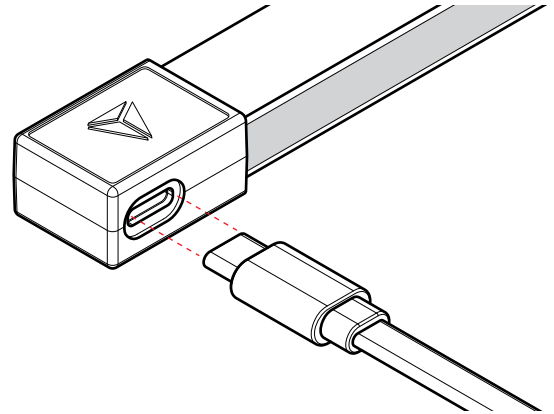
[support@secretlab.co](mailto:support@secretlab.co)

# INSTALLATION

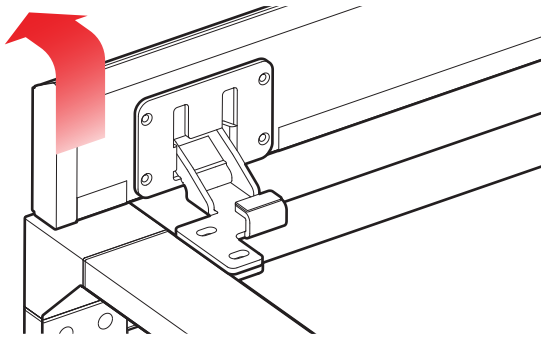
- 1** Determine which side of your desk provides easier access to a power outlet. The Secretlab MAGRGB™ can be powered from either end of the lightstrip.



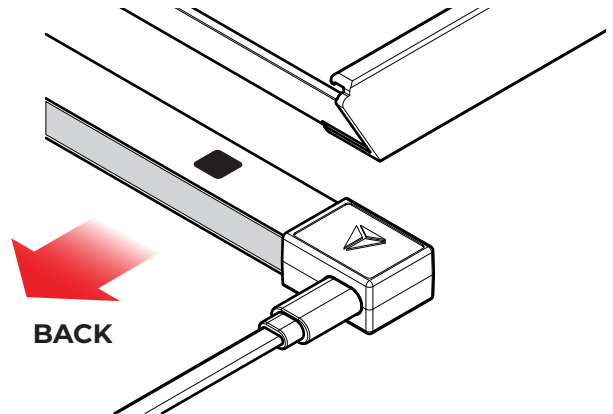
- 2** Insert the cable into the connector on the lightstrip. Ensure that the cable is fully connected with the connector.



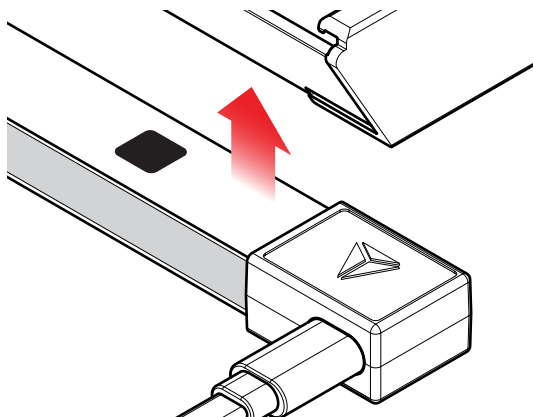
- 3** Lift the rear cover of your Secretlab MAGNUS Metal Desk.



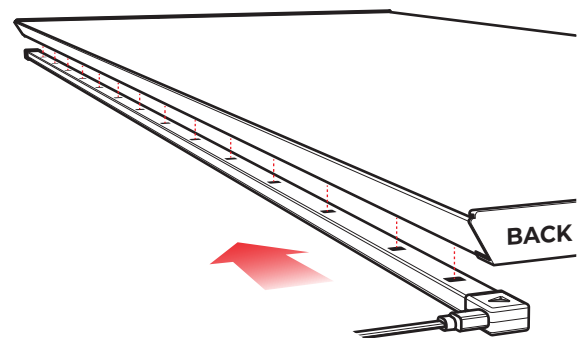
- 4** Face the translucent side of your Secretlab MAGRGB™ strip towards the back of the desk.



- 5** Align the end of the strip with the side of the desk and magnetically attach the end connector to the underside of the desk.

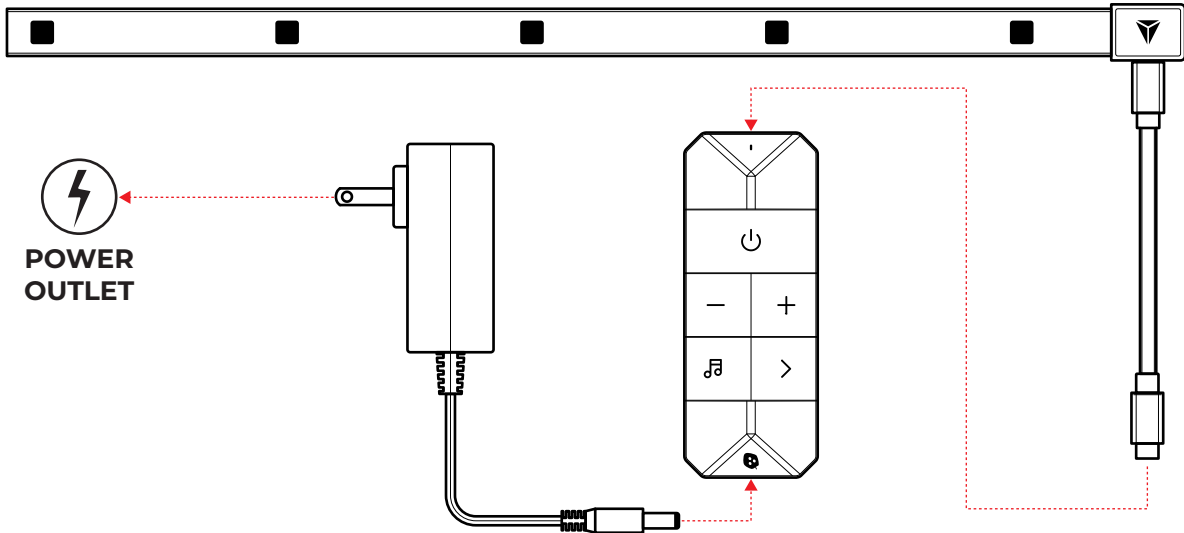


- 6** Attach the remaining length of the Secretlab MAGRGB™ strip to the underside of the desk, making sure that each of the embedded magnets snaps into place.

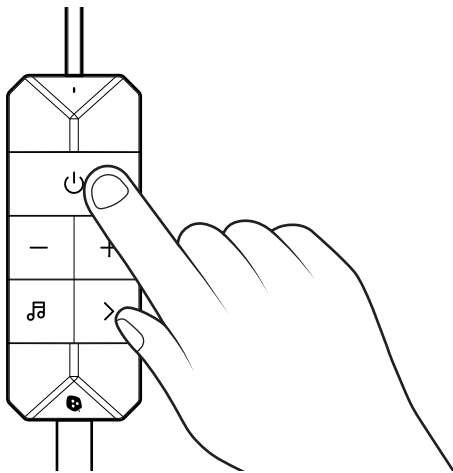


# INSTALLATION

- 7** Connect the connector cable on the lightstrip and the 12V DC plug on the adapter to the controller. Plug the adapter into a suitable power outlet.



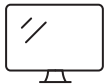
- 8** Press the power button on the controller to power up your Secretlab MAGRGB™. You're now ready to pair it with your smartphone.



## DOWNLOAD THE APP



To download the Nanoleaf Mobile App on your smartphone, scan the respective QR codes.



### Nanoleaf Desktop App

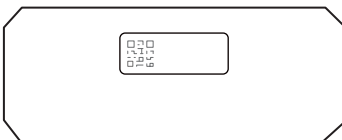
To use Screen Mirror feature, please download the Nanoleaf desktop app on your computer by visiting the following link:

<https://nanoleaf.me/en-US/integration/desktop-app/>

Desktop app requires a min. of Windows 10 & macOS 12.

**To ensure a smooth pairing process, please make sure you have the following things ready:**

- Your iOS or Android device with Bluetooth and Wifi (2.4GHz) is ON.
- Requires iOS 15.4+ or Android 9+.
- Pairing Code found on the back of the controller.

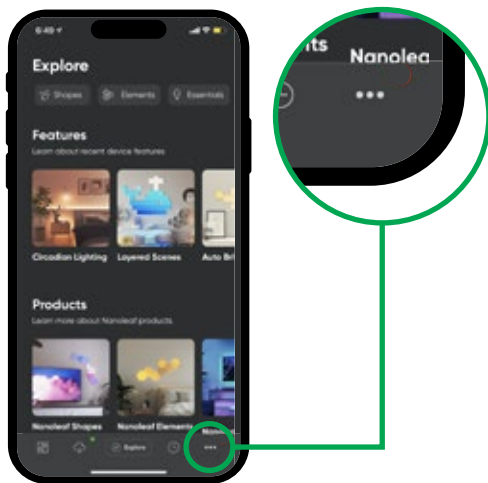


# PAIRING YOUR SECRETLAB MAGRGB™

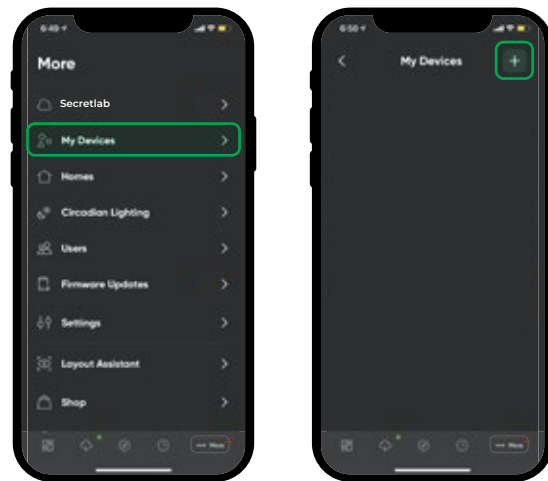
- 1 Download and launch the Nanoleaf App on your smartphone by scanning the QR codes.



- 2 Select the **MORE** tab.



- 3 Select the "My Devices" tab, tap the "+" to add a new device, and the camera will automatically open.

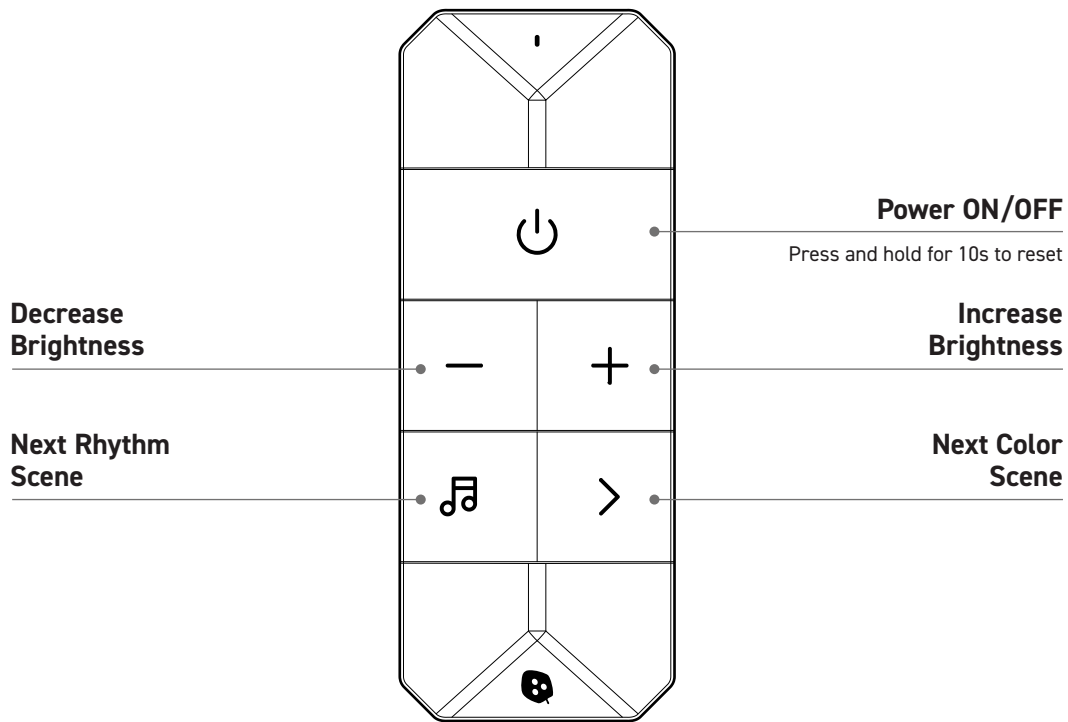


- 4 You can choose to scan the pairing QR code, enter the pairing code manually for pairing.

- 5 When you choose to manually enter the pairing code, select "Secretlab MAGRGB™" as the product, then click "Pair" and enter the pairing code.

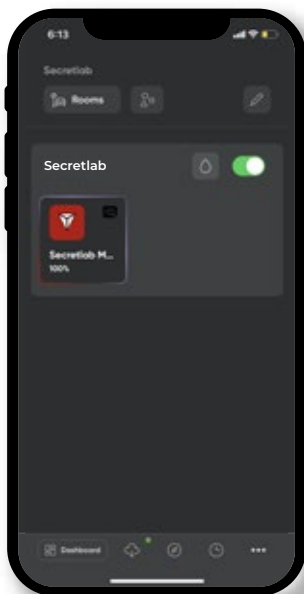
- 6 Once the pairing is done, your product should now be connected and ready for use!

## CONTROLLING YOUR SECRETLAB MAGRGB™ (CONTROLLER BOX)



## CONTROLLING YOUR SECRETLAB MAGRGB™ (NANOLEAF APP)

Turn your lighting on and off, control brightness, group lights by home and by room, create and use Scenes, and much more.



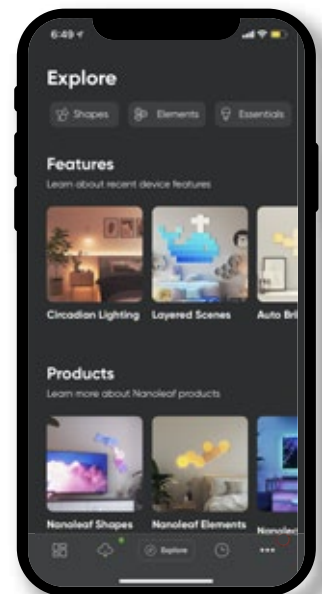
### DASHBOARD

Easily view all your rooms and devices at a glance.



### CUSTOMIZE

Make your Secretlab MAGRGB™ your own. Choose from a wide range of colors and Scenes or create your own.



### EXPLORE

Get access to helpful information including tutorials, new device features and more.



## RESET OPTIONS

If you're experiencing any issues with your Secretlab MAGRGB™, try these steps:

### 1) POWER CYCLE

Power cycle your lightstrip by unplugging it from your power outlet and then plugging it back in again.

### 2) WiFi

Toggle your WiFi off and back on. Alternatively, restart the app you're using to control your lights or restart your device.

### 3) CHECK FOR POWER

Make sure that your power switch isn't turned off at the outlet or power bar.

### 4) PERFORM A RESET

This will delete your pairing and network information, so you will need to pair again. Before resetting, delete your Secretlab MAGRGB™ from the Nanoleaf app by navigating to More > My Devices > Swipe Left on your Secretlab MAGRGB™ > Delete.

To perform a factory reset on your Secretlab MAGRGB™, Press and hold the Power ON/OFF button on the Controller for 10s. If the reset is successful, the lightstrip will flash red three times before going dark. It will then be ready for pairing again.



If you've performed all of these steps and your issue still persists, please reach out to our support team for further assistance.

# WARNINGS & CAUTION

Ideal operating temperatures range from 0-40°C <95RH%. Do not use in totally enclosed fixture. Product is designed for indoor use only and is not waterproof.

If the external flexible cable or cord of this luminaire is damaged, it shall be exclusively replaced by the manufacturer or his service agent or a similar qualified person in order to avoid posing an electrical or fire hazard. Non-replaceable light source is used in this product. If the light source is damaged, please do not disassemble the lamp by yourself. Do not match the Type C header of this product with the USB header of any other product or adapter. This may cause your product to be unusable.

## MAGNET SAFETY INFORMATION

### WARNING:

This manual contains important safety information to help you handle neodymium magnets properly and avoid personal injury and damage to the magnets themselves. Read all the safety information below prior to installation and usage.

### Handling

Exercise care when attaching parts with neodymium magnets to avoid being pinched. Neodymium magnets are also brittle. Avoid subjecting them to hard impacts to prevent breakage. If broken, dispose of pieces with care as they may be sharp.

### Keep Magnets Away from Children and Pets

To help prevent serious magnet ingestion injuries, keep magnets that are small enough to be swallowed away from children and pets. Small magnets can also pose a choking hazard. Seek immediate medical attention if magnets are swallowed or inhaled.

### Magnetic Media

Keep away from devices and products that can be damaged by strong magnetic fields (e.g. computer hard drives, credit cards and cassette tapes).

### Medical Device

Neodymium magnets can interfere with pacemakers and other implanted medical devices. We recommend consulting your physician and medical device manufacturer for information specific to your medical device and whether you would need to maintain a minimum distance between your medical device and our product.

### Allergies

Avoid contact with neodymium magnets if you have a nickel allergy.

### Machining and Drilling

Do not drill or attempt to modify the magnets as neodymium magnet dust and powder are highly flammable.

### Maintenance

Neodymium magnets will retain their magnetism and integrity for decades when handled, utilised and protected properly.

# WARNINGS & CAUTION

## FCC and ID IC WARNING

This device complies with Part 15 of the FCC Rules. Operation is subject to the following two conditions:

- (1) This device may not cause harmful interference.
- (2) This device must accept any interference received, including interference that may cause undesired operation.

Changes or modifications not expressly approved by the party responsible for compliance could void the user's authority to operate the equipment. This equipment has been tested and found to comply with the limits for a Class B digital device, pursuant to Part 15 of the FCC Rules.

These limits are designed to provide reasonable protection against harmful interference in a residential installation. This equipment can radiate radio frequency energy and, if not installed and used in accordance with the instructions, may cause harmful interference to radio communications.

However, there is no guarantee that interference will not occur in a particular installation. If this equipment does cause harmful interference to radio or television reception, which can be determined by turning the equipment off and on, the user is encouraged to try to correct the interference by one or more of the following measures:

- Reorient or relocate the receiving antenna.
- Increase the separation between the equipment and receiver.
- Connect the equipment into an outlet on a circuit different from that to which the receiver is connected.
- Consult the dealer or an experienced radio/TV technician for help.

## RADIO FREQUENCY

Bluetooth: 2400-2483.5 MHz  $\leq$ 20dBm; Wi-Fi: 2412MHz-2462 MHz  $\leq$ 20dBm (NA, CA, IL);

Wi-Fi: 2412MHz-2472 MHz  $\leq$ 20dBm (CN, EU, AU, KR, JP, SG, etc)

## CE DECLARATION

NanoGrid Limited (Nanoleaf) hereby declares that this device is in compliance with the essential requirements and other relevant provisions of Directive 2014/53/EU. The declaration of conformity is available at [www.nanoleaf.me/eudoc/](http://www.nanoleaf.me/eudoc/).

## UKCA DECLARATION

NanoGrid Limited (Nanoleaf) hereby declares that this device is in compliance with the product requirements and other relevant provisions of the Radio Equipment Regulations 2017. The declaration of conformity is available at [www.nanoleaf.me/eudoc/](http://www.nanoleaf.me/eudoc/).

## DISPOSAL OF YOUR OLD PRODUCT

Your product is designed and manufactured with high quality materials and components, which can be recycled and reused. When this crossed-out wheellie bin symbol is attached to a product, it means that the product is covered by European Directive 2012/19/EU. Please find out about your local collection system for electrical and electronic products. Please act according to your local rules and do not dispose of your old products with your normal household waste. The correct disposal of your old product will help to prevent potential negative consequences for the environment and human health.

## LEGAL NOTICE

Use of the Works with Apple badge means that an accessory has been designed to work specifically with the technology identified in the badge and has been certified by the developer to meet Apple performance standards. Apple is not responsible for the operation of this device or its compliance with safety and regulatory standards.