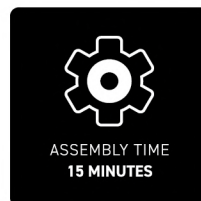
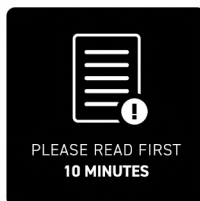




Assembly Guide and User Manual

Secretlab® MAGNUS Pro Sit-to-Stand Metal Desk





To view this manual in the following languages, please scan the QR Code to the left.

Pour consulter ce manuel dans les langues suivantes, veuillez scanner le QR code à gauche.

Um dieses Handbuch in den folgenden Sprachen anzuzeigen, scannen Sie bitte den QR-Code auf der linken Seite.

Scan de QR-code naar links om deze handleiding in de volgende talen te bekijken.

이 설명서를 다음 언어로 보시려면 왼쪽에 있는 QR 코드를 스캔하세요.

Untuk melihat panduan ini dalam bahasa lainnya, silakan scan QR code di sebelah kiri.

CONTENTS

Important Safety Instructions	1
Grounding Instructions	1
Warnings and Caution	2
Technical Specifications	3
What's in the Box - Box 1	4
What's in the Box - Box 2	4
Assembly Guide	5
Preparing for Assembly	5
Connecting the Motorized Leg Columns	5
Assembling the Motorized Leg Columns	6
Assembling the Mounting Blocks for Cable Tray	6
Assembling the Cable Tray	7
Assembling the Table Feet	7
Flipping the Desk Upright	8
Assembling the Hinged Rear Cover	9
Installing the Finishing Caps	10
Connecting the Power Cord	10
Calibrating your Desk	11
Optional: Installing the Secretlab MAGPAD	11
Unrolling the Secretlab MAGPAD	12
Installing the Metal Sleeve	12
Usage Instructions	13
Control Panel Features	13
Troubleshooting	13
Cable Management	14
Secretlab Premium PC Mount	14
Handling the Hinged Rear Cover	15
Moving the Desk	15
Adjusting the Desk Height	16
Do not Overload the Desk	16
Maximum Current Rating	17
Electrical Components	17
Disposal of your Secretlab MAGNUS Pro	18
Dismantling of Electronic Parts	18
Use and Liability	19
Usage and Maintenance	19



PLEASE READ PRIOR TO INSTALLATION AND USE

Failure to comply with or observe all assembly, safety and operating instructions and warnings regarding the use of this product may result in serious bodily injury. When using an electrical furnishing, basic precautions should always be followed, read all instructions before using (this furnishing). Secretlab cannot be held liable for injury or damage caused by non-compliance with these instructions. Save these instructions and keep with the desk.

This user manual contains important safety regulations. Any non-conforming use may result in personal injury or mechanical damage. Please read this user manual carefully before use as it provides key information about safety, use, assembly and maintenance of the Secretlab MAGNUS Pro.

This product is a height adjustable electric standing desk intended for domestic use only. This appliance is not intended for use by persons (including children) with reduced physical, sensory or mental capabilities, or lack of experience and knowledge, unless they have been given supervision or instruction concerning use of the appliance by a person responsible for their safety. Children should be supervised to ensure that they do not play with the appliance. If the supply cord is damaged, it must be replaced by the manufacturer, its service agent or similarly qualified persons in order to avoid a hazard.

Disconnect the supply when carrying out maintenance and cleaning;

Examine the appliance frequently for signs of wear or damage. If there are such signs or if the appliance has been misused or does not work, contact the supplier for further information;

Do not allow children to play with fixed controls;

Keep remote controls away from children;

When operating a switch that initiates and maintains the movement of the furniture or terminates the movement of the furniture or causes a change of the direction of the movement of the furniture, make sure that other persons are kept away.

Placement of furniture to avoid creating entrapment hazards with other furniture;

Details on how to use a manual release, if any;

An explanation of different ways of controlling the movement;

Information relating to cleaning and user maintenance including use of chemical cleaning agents.



WARNING: To reduce the risk of electric shock, always unplug the desk from the electrical outlet before cleaning. To disconnect, turn all controls to the off position, then remove the plug from the outlet.



WARNING: Only plug the desk into a properly grounded 100-240V outlet. Unplug the desk from the electrical outlet before moving the desk or before adding/removing parts or accessories. Risk of electric shock. See Grounding Instructions.



WARNING: Keep heated surfaces away from plug. Never use desk with a damaged cord or plug. Risk of electric shock. For replacement, please get in touch with us via our contact page at secretlab.co/contact.

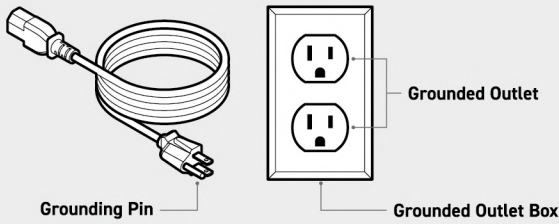


WARNING: In case of spilled liquids, immediately unplug desk. Then clean spill with a dry cloth. Risk of desk failure or electric shock if desk components become wet.



WARNING: Keep fingers and all body parts clear of the moving desk. Check surroundings on all sides before using the desk to ensure there are no immobile obstacles within the desk's range of motion. Ensure all cords are the appropriate length so they do not pull as the desk moves.

GROUNDING INSTRUCTIONS



WARNING: This product is for use on a nominal 100-240 volt circuit and has a grounding plug. Use only the cord provided. Make sure that the product is connected to an outlet having the same configuration as the plug. Do not modify the plug provided with the product. No adapters are to be used with this product. Keep cord away from heated surfaces.

WARNINGS AND CAUTION

PLEASE READ PRIOR TO INSTALLATION AND USE

Ensure you have received all parts according to the **What's In the Box** section (pg. 4) prior to installation. If any parts are missing or faulty, contact the Secretlab support team for replacements. The Secretlab MAGNUS Pro is to be assembled by at least two people. This product contains small items that could be a choking hazard if swallowed. Keep these items away from children and pets. Do not overtighten the screws during installation.



This desk is not intended for use by children without adult supervision.



Do not stand on the desk.
Do not use the desk as a climbing aid.



Do not exceed the maximum load capacity of the Metal Desk Top (**120kg/265lb**, inclusive of the Metal Desk Top). Do not load the Hinged Rear Cover.

Metal Desk Top (1.5m) Weight: 25.5kg/56.2lb
Metal Desk Top (1.7m) Weight: 32.9kg/72.5lb



Do not sit on the desk.



Do not place your hand or fingers between the Hinged Rear Cover and the Metal Desk Top.



Do not crawl or lie under the desk frame.



Do not drag the desk across the floor.
Do not wobble the desk forcefully on purpose.



It is good practice to partially screw all fasteners in place before fully tightening (in a diagonal sequence when required).
Do not overtighten the fasteners.



Maintenance tasks may only be carried out by authorised and qualified personnel. For more information, please get in touch with us via our contact page at secretlab.co/contact. For cleaning instructions of your Secretlab MAGNUS Pro, refer to the **Secretlab MAGNUS Pro Aftercare Guide**.

Models: Secretlab MAGNUS Pro, Secretlab MAGNUS Pro XL			
Type	Region	Rating	Maximum Outlet Load
Type-B	US/JP	100-120V AC, 50/60Hz, 3A	12A, 1440W
Type-B	TH/PH	220-230V AC, 50/60Hz, 3A	2500W
Type-F	DE	220-240V AC, 50/60Hz, 400W	2500W
Type-G	UK	220-240V AC, 50/60Hz, 400W	2500W
Type-I	AU	220-240V AC, 50/60Hz, 400W	2500W

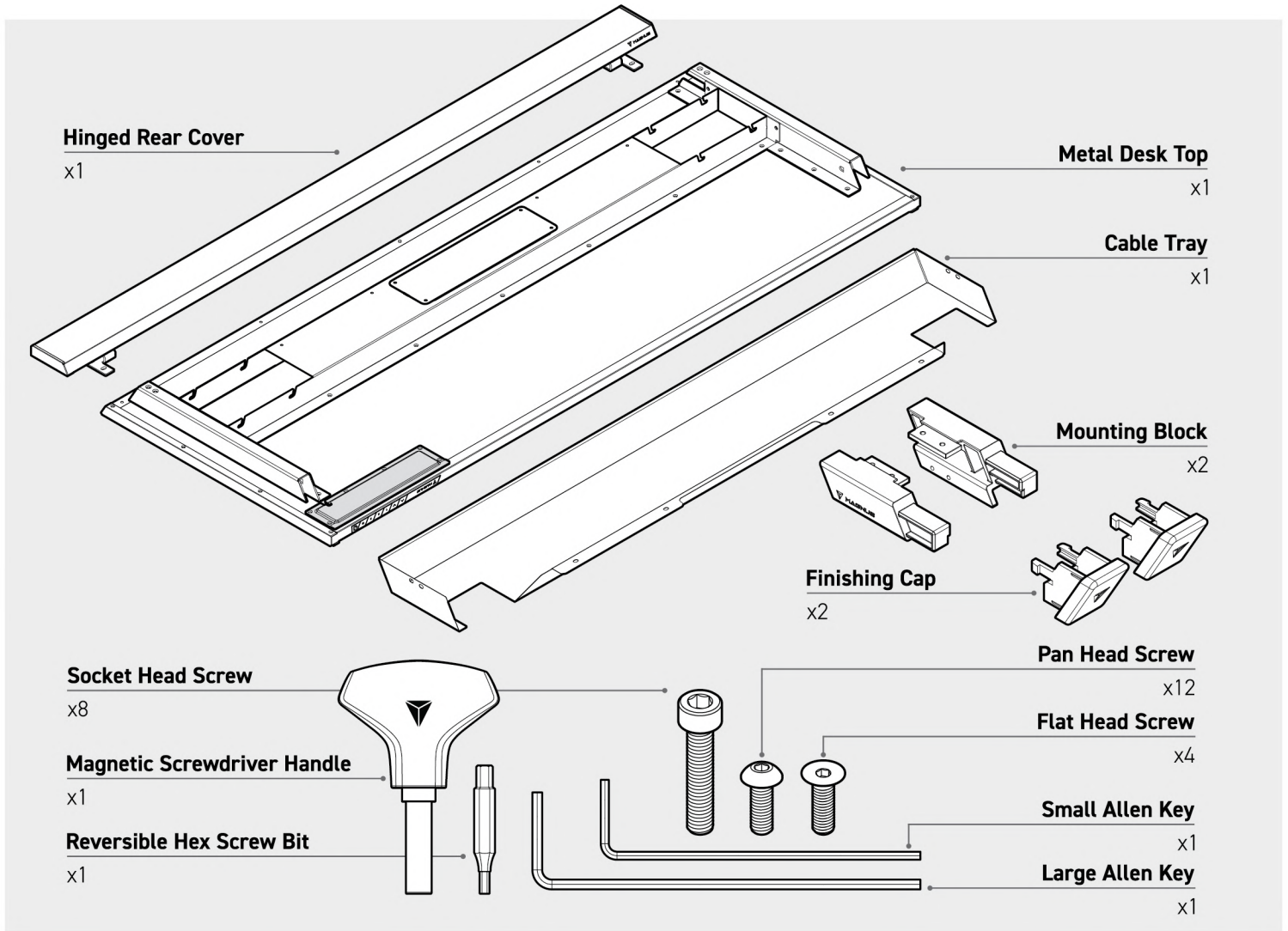
Secretlab SG Pte Ltd
 #05-02 351 Braddell Road, Singapore 579713



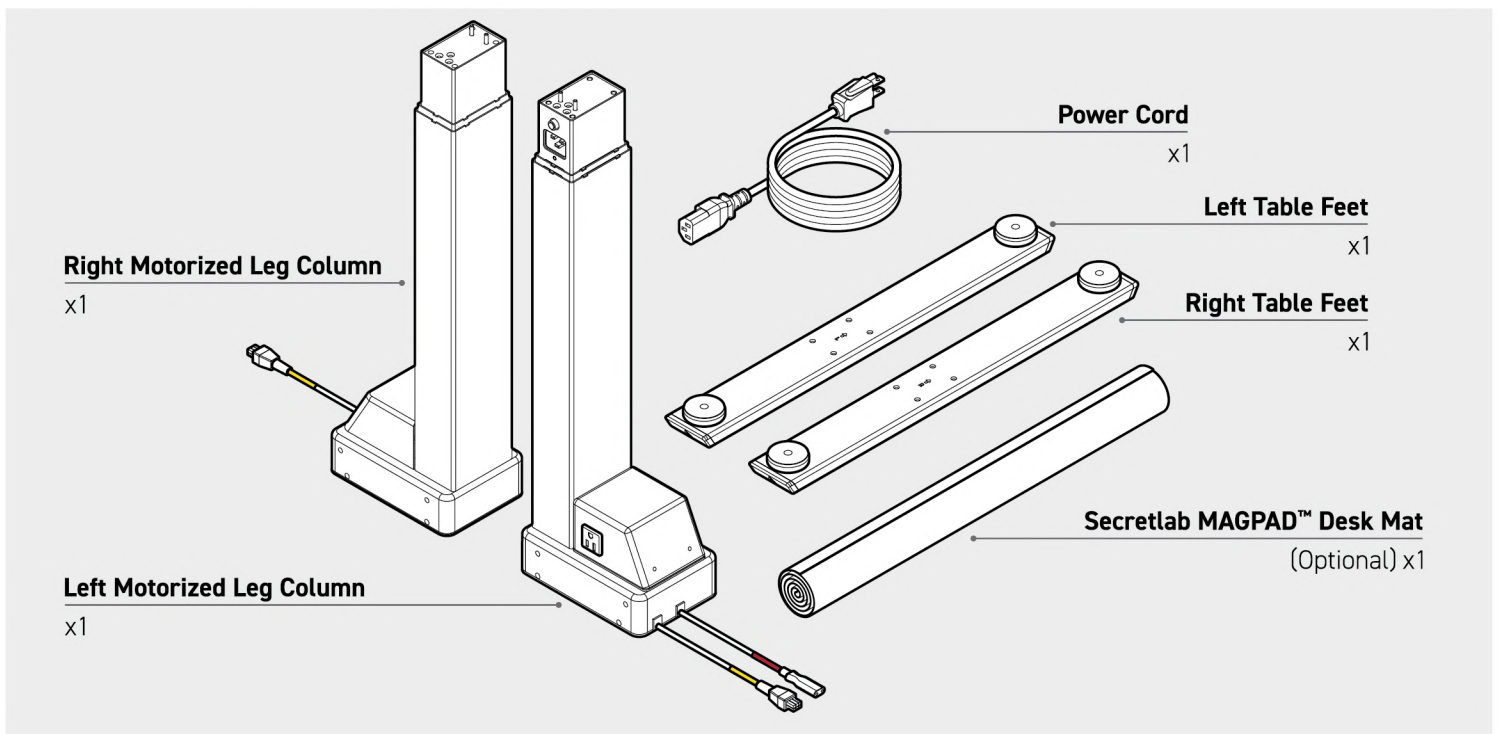
Conforms to UL STD. 962
 CERTIFIED TO CSA STD. C22.2 No.68

Models:	Secretlab MAGNUS Pro/Secretlab MAGNUS Pro XL
Metal Desk Top Dimensions (Metric):	1500 x 585 x 20mm/1770 x 670 x 20mm
Metal Desk Top Dimensions (Imperial):	59.0 x 23.0 x 0.8"/70.0 x 26.0 x 0.8"
Height Range:	650 - 1250mm/25.6 - 49.2"
Maximum Load of Metal Desk Top (inclusive of Metal Desk Top):	120kg/265lb
Metal Desk Top (1.5m) Weight:	25.5kg/56.2lb
Metal Desk Top (1.7m) Weight:	32.9kg/72.5lb
Frame Construction:	Steel (SPCC)
Metal Desk Top Construction:	MDF with Steel (SPCC)
Hinged Rear Cover Construction:	MDF with Steel (SPCC) and Aluminum
Control Box Input Voltage:	100 - 240V. Max 2.5A
Control Box Output Voltage:	32V, 4A
Number of Motors:	2
DC Motor Input Voltage:	24V DC, 5A
Motor Speed (Vertical Lift):	30mm/s
Noise Level:	<50dB
Control Panel Input Voltage:	5V DC
Number of Presets:	3
Power Cord Plug Types:	Type-B, Type-F, Type-G, Type-I
Desk Input Voltage:	100 - 240V
Intended Use Humidity Range:	RH 40% - 80%

WHAT'S IN THE BOX - BOX 1



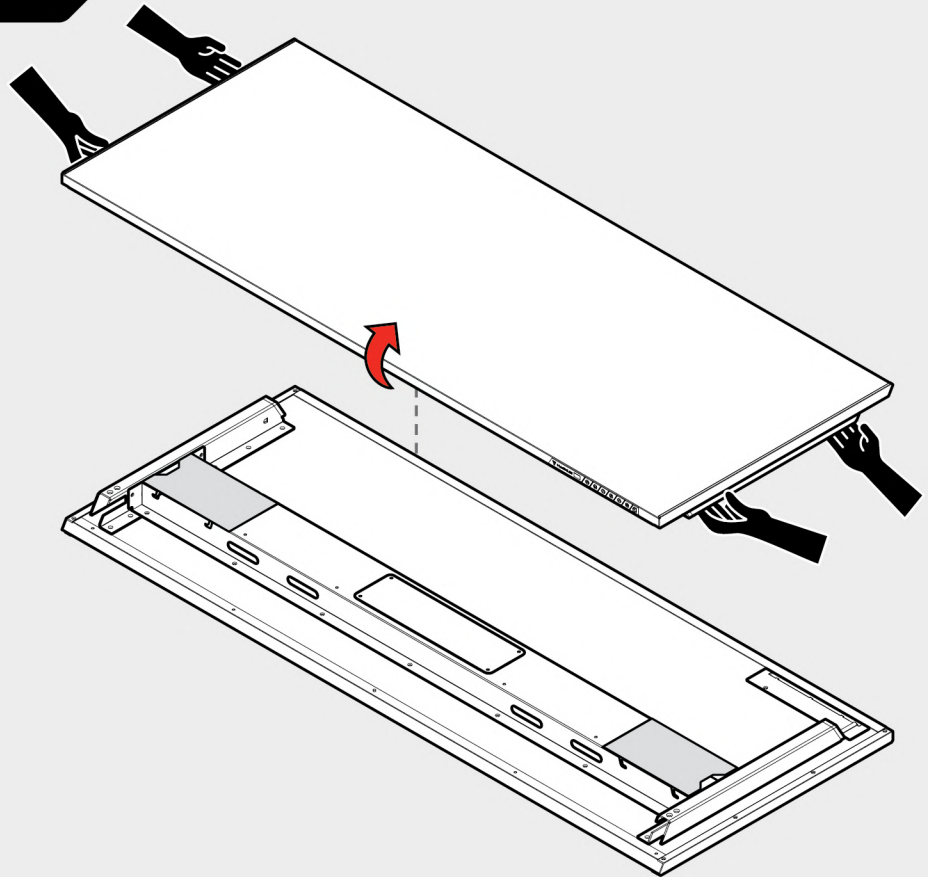
WHAT'S IN THE BOX - BOX 2



01 Preparing for Assembly



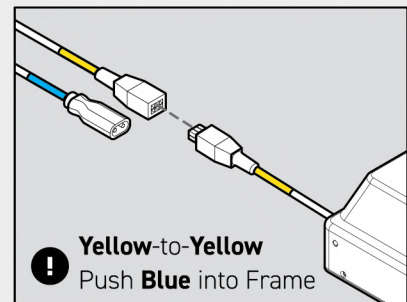
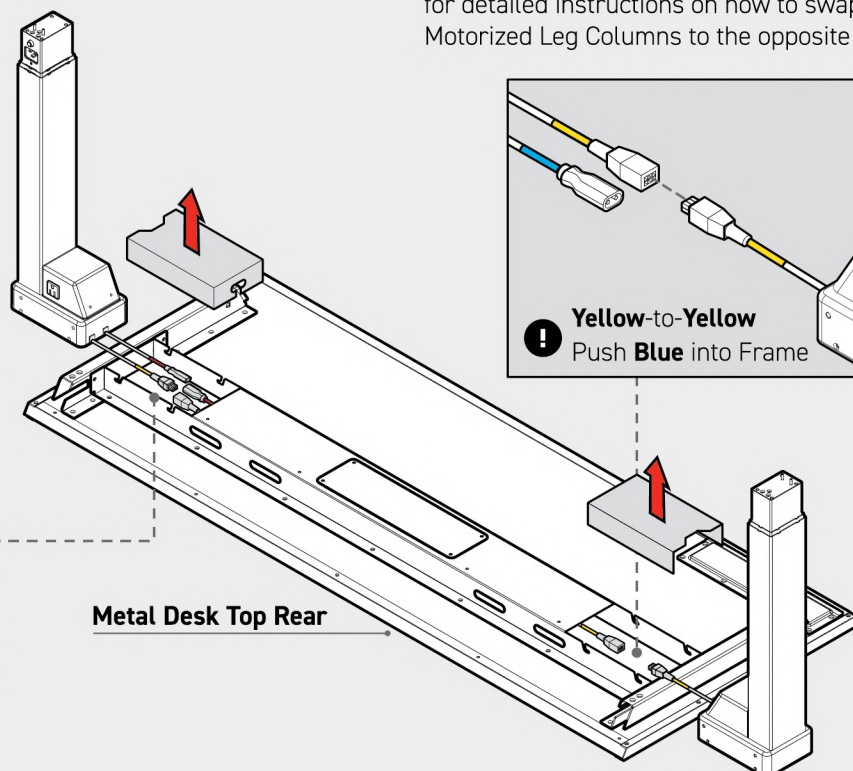
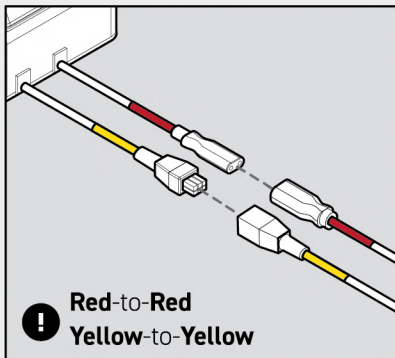
With at least two people, lift the **Metal Desk Top** and place it upside down onto a debris-free area to protect the **Metal Desk Top** surface.



2A Connecting the Motorized Leg Columns

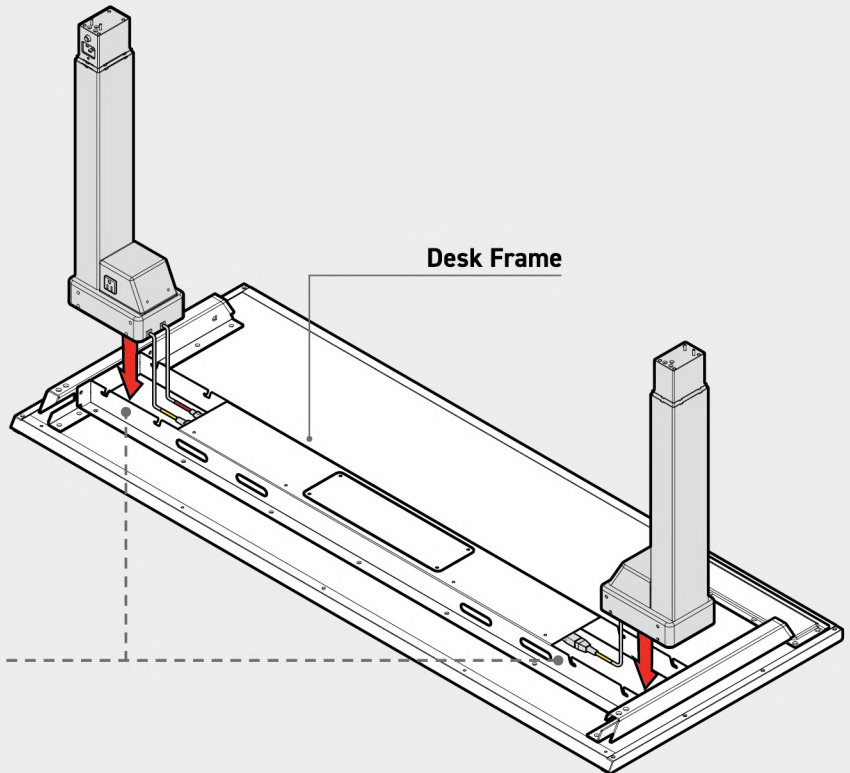
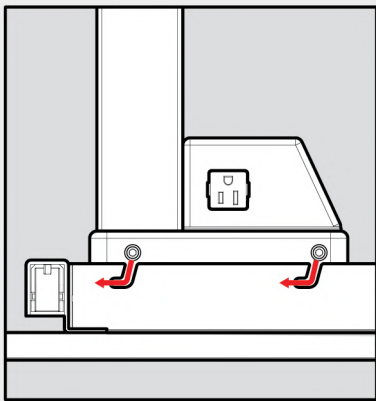
Note: The additional blue cable connector supplied is intended solely for power swapping purposes. Please refer to the **Power Swap Assembly Guide** for detailed instructions on how to swap your Motorized Leg Columns to the opposite sides.

Remove the cardboard covers. Plug the cables on the **Left Motorized Leg Column** and the **Right Motorized Leg Column** to the corresponding colours to connect them to the **Control Box**.

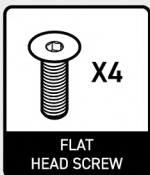


2B Assembling the Motorized Leg Columns

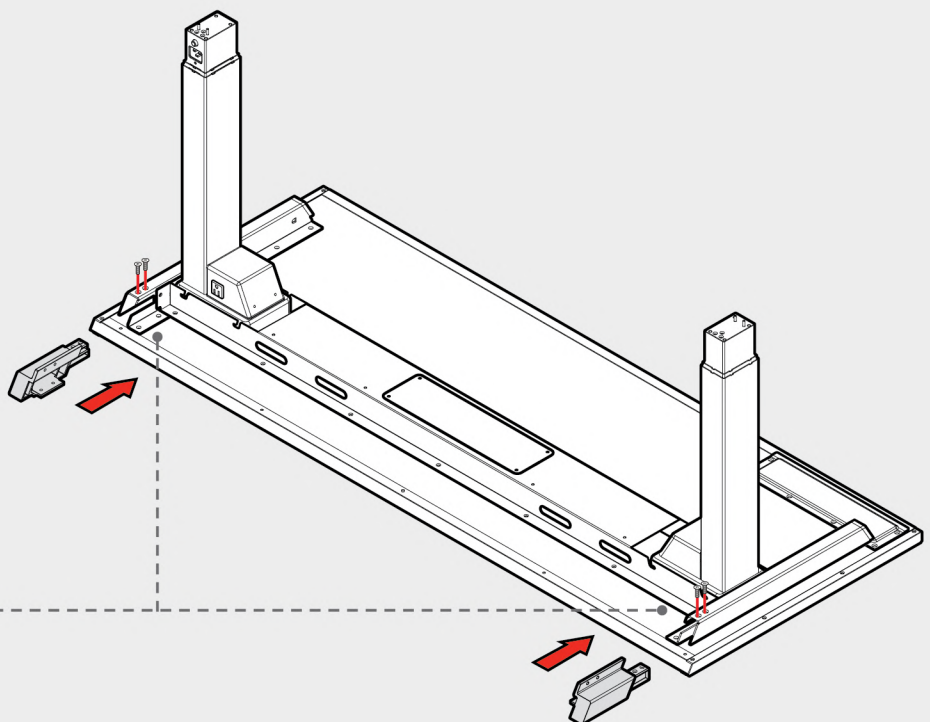
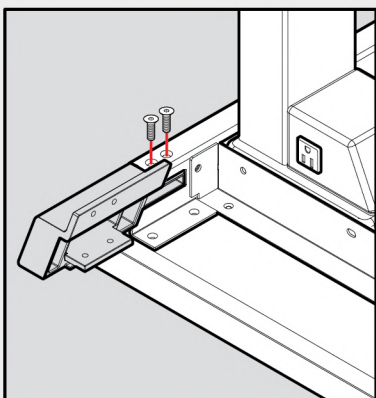
Push the cables into the **Desk Frame**. Slot the **Motorized Leg Columns** into the Desk Frame in the manner shown below. Make sure the Motorized Leg Columns are slotted in completely and screw in the fasteners.



03 Assembling the Mounting Blocks for Cable Tray



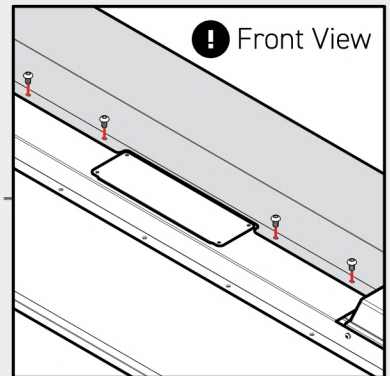
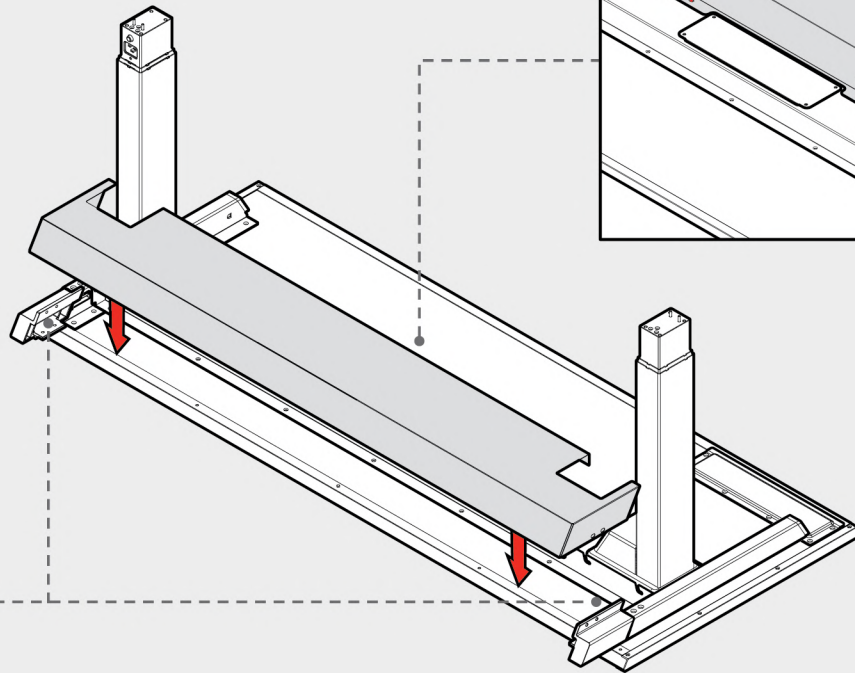
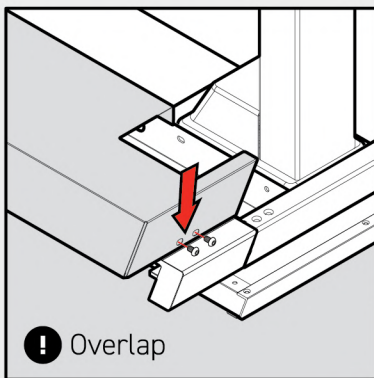
Slot the **Mounting Blocks** into the **Side Frame** and screw in the fasteners.



04 Assembling the Cable Tray

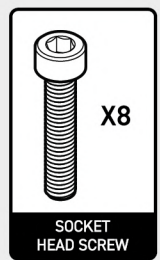
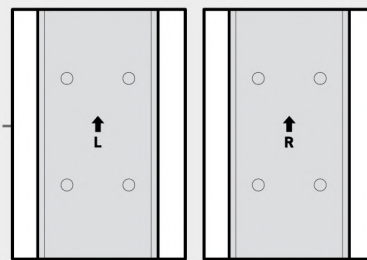
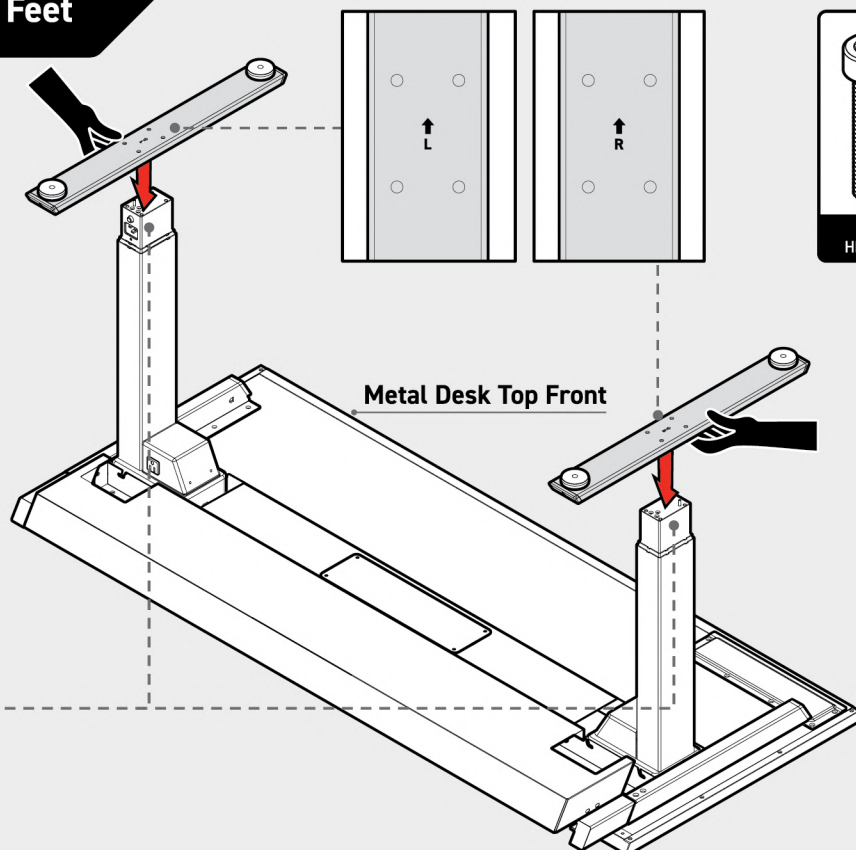
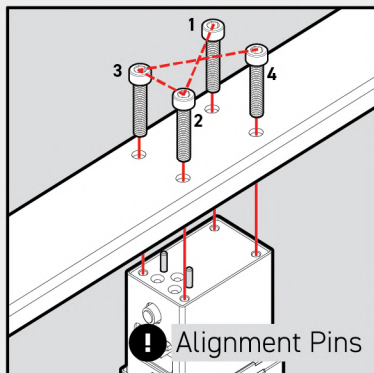


Place the **Cable Tray** over the **Mounting Blocks**. Align the screw holes on the Cable Tray to the holes on the **Desk Frame** and screw in the fasteners. Fasten the screws on both sides of the Cable Tray.



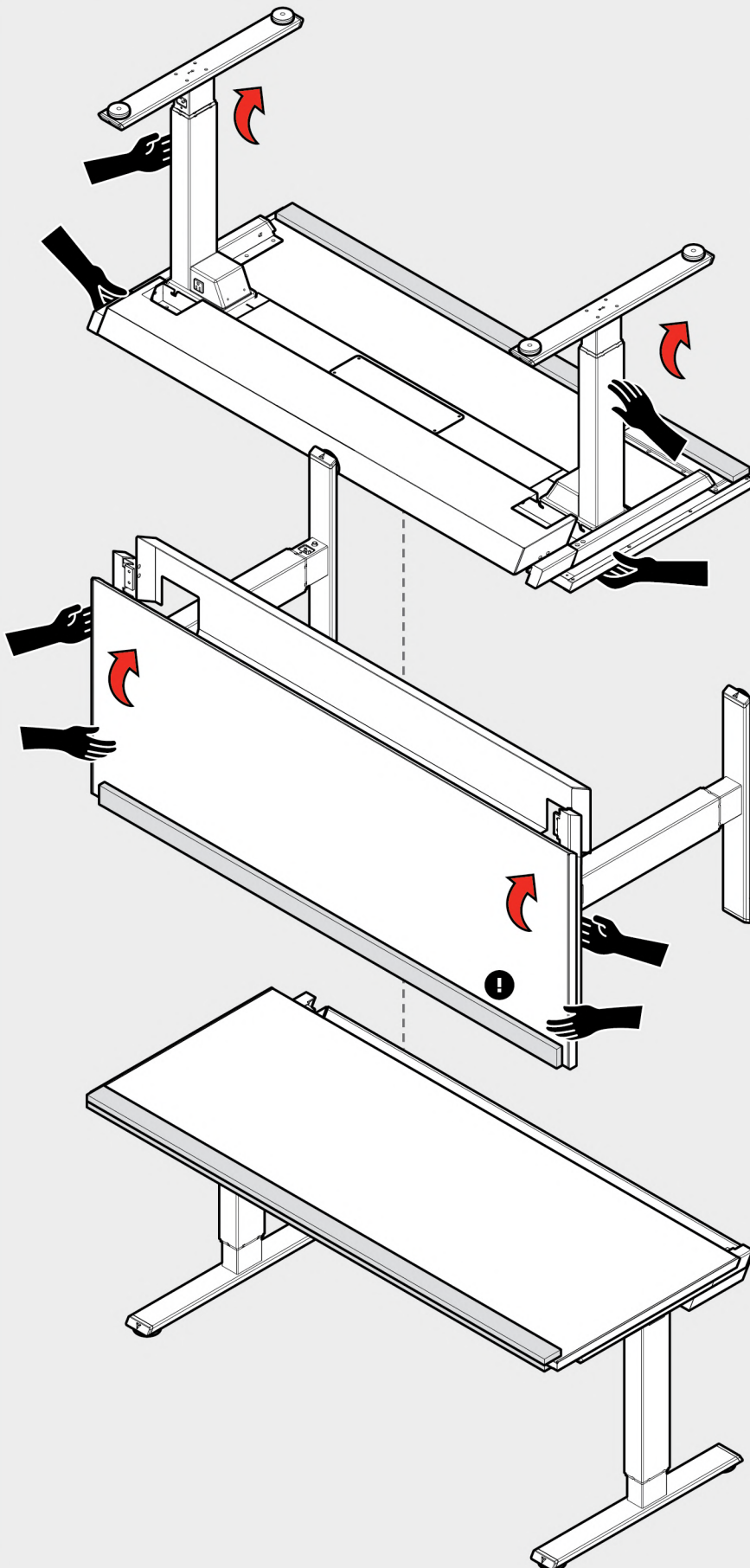
05 Assembling the Table Feet

Place the **Left and Right Table Feet** onto the **Motorized Leg Columns** with the help of the alignment pins. Make sure the long end of the feet is facing towards the front of the desk as indicated by the arrows. Hold onto the Table Feet as you screw in the fasteners.



06 Flipping the Desk Upright

WARNING: Do not use the Secretlab MAGNUS Pro until all steps and calibration have been completed.



WARNING. Danger of injury. Keep hands and feet clear when moving and flipping the desk.

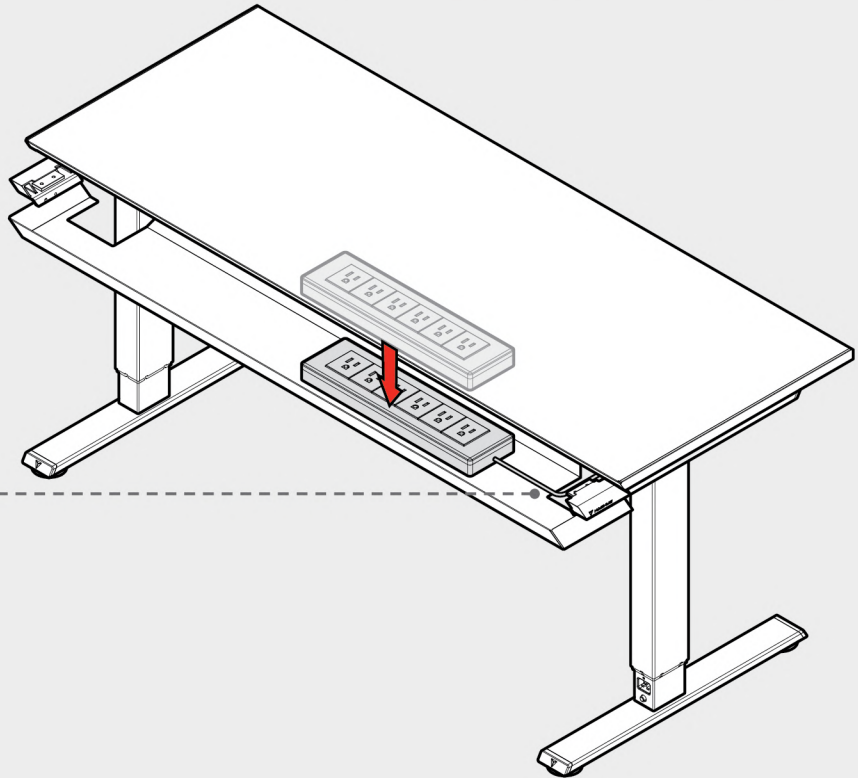
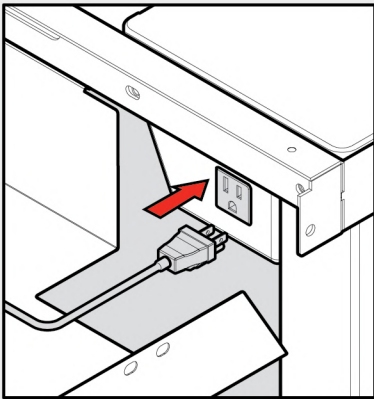
With at least two people, grab the **Metal Desk Top** with the **Side Frame** in one hand and a **Motorized Leg Column** in another. Tilt it gently rotating it 90 degrees back, so that the **Control Panel** is facing down.

❗ Ensure that the **Control Panel** is protected by the foam packaging.

Grab the **Metal Desk Top** and **Side Frame** and tilt it gently rotating it 90 degrees back, so that the desk is upright.

WARNING: Do not use the Secretlab MAGNUS Pro until all steps and calibration have been completed.

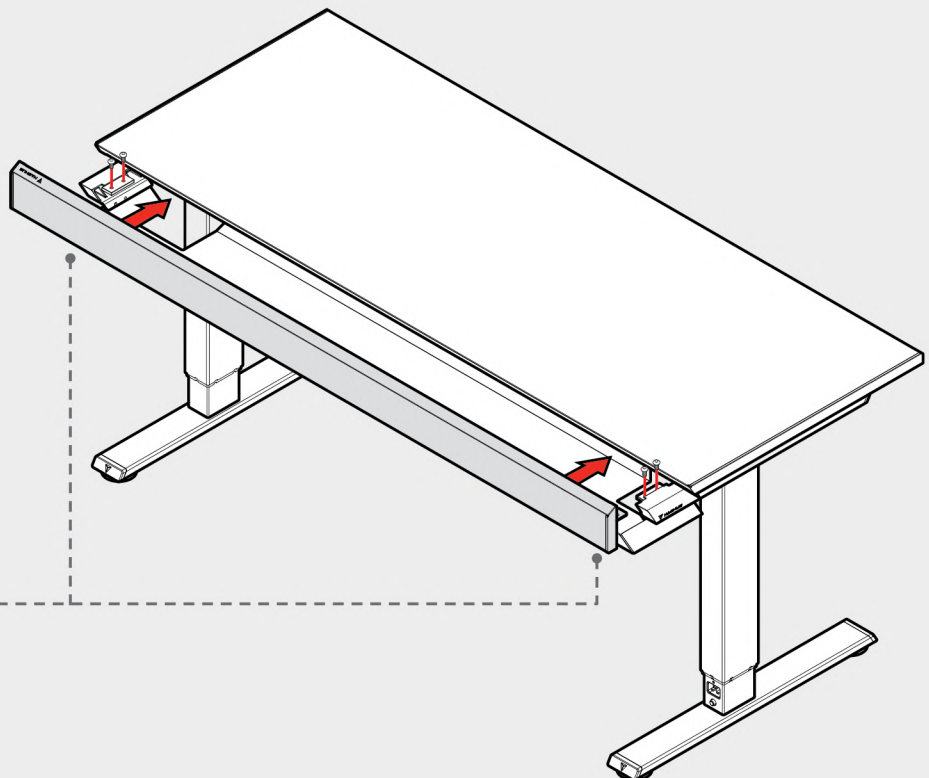
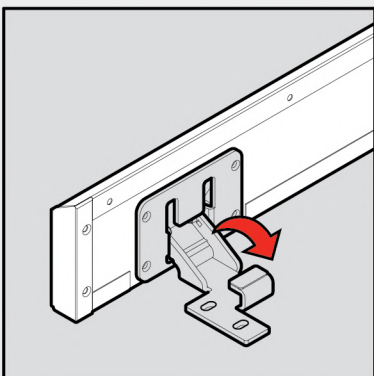
Hint: If your power strip is large, you can place it in the **Cable Tray** now and plug it into the socket located at the top of the **Left Motorized Leg Column** before the next step of assembling the **Hinged Rear Cover**.



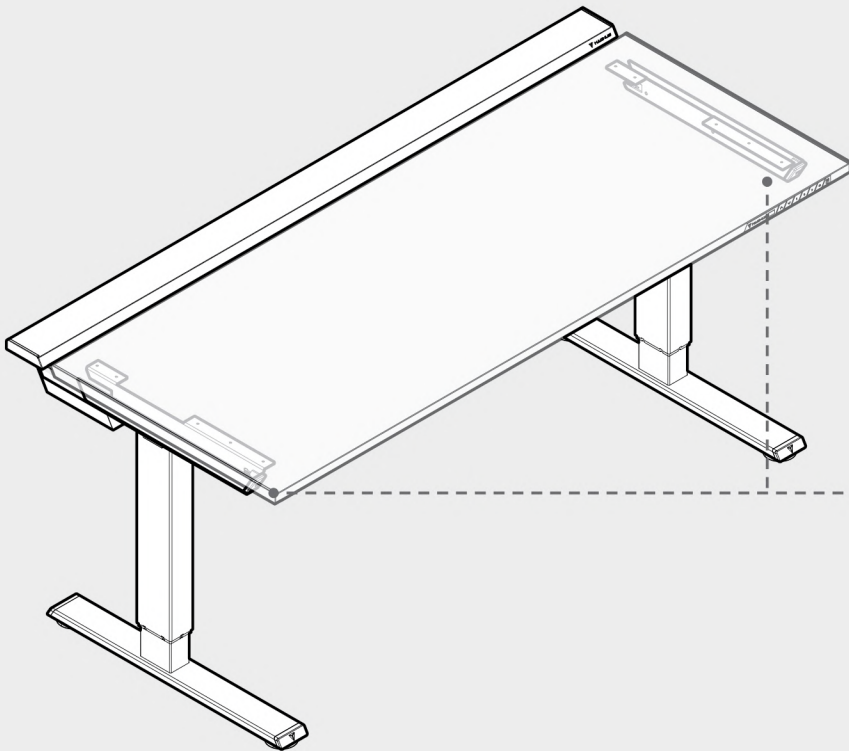
07 Assembling the Hinged Rear Cover



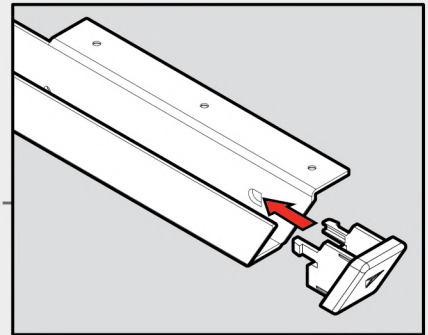
Pull both hinges down and align the **Hinged Rear Cover** onto the **Metal Desk Top**. Screw in the fasteners.



08 Installing the Finishing Caps



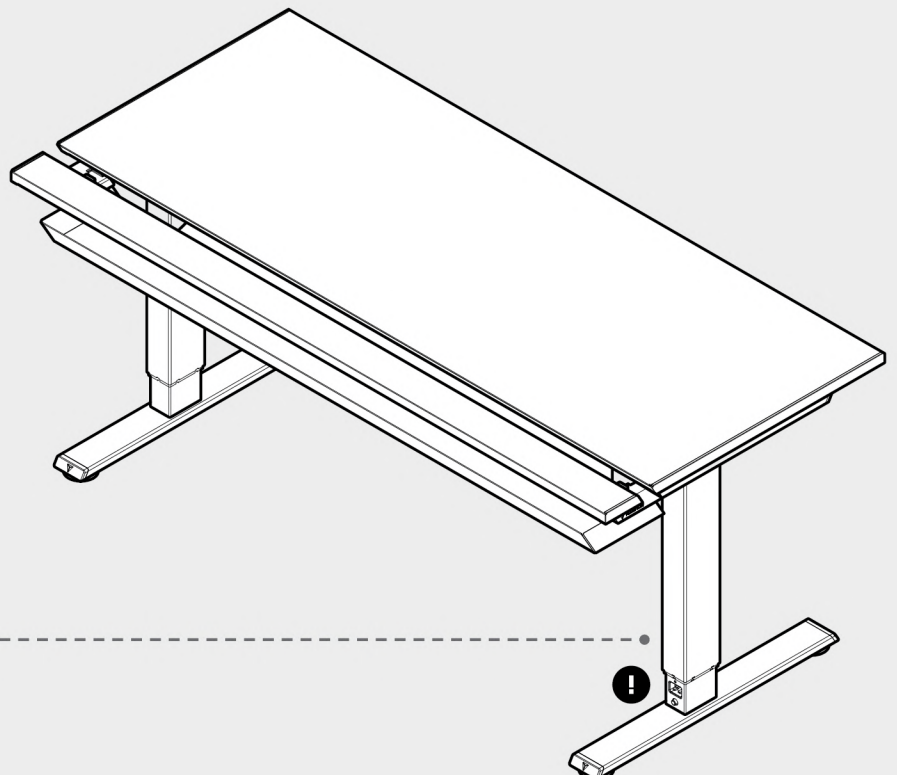
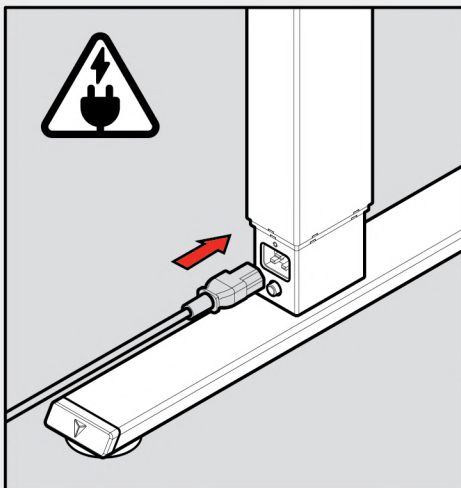
Insert the **Finishing Caps** into the front of the **Side Frame** of your **Metal Desk Top**.



09 Connecting the Power Cord

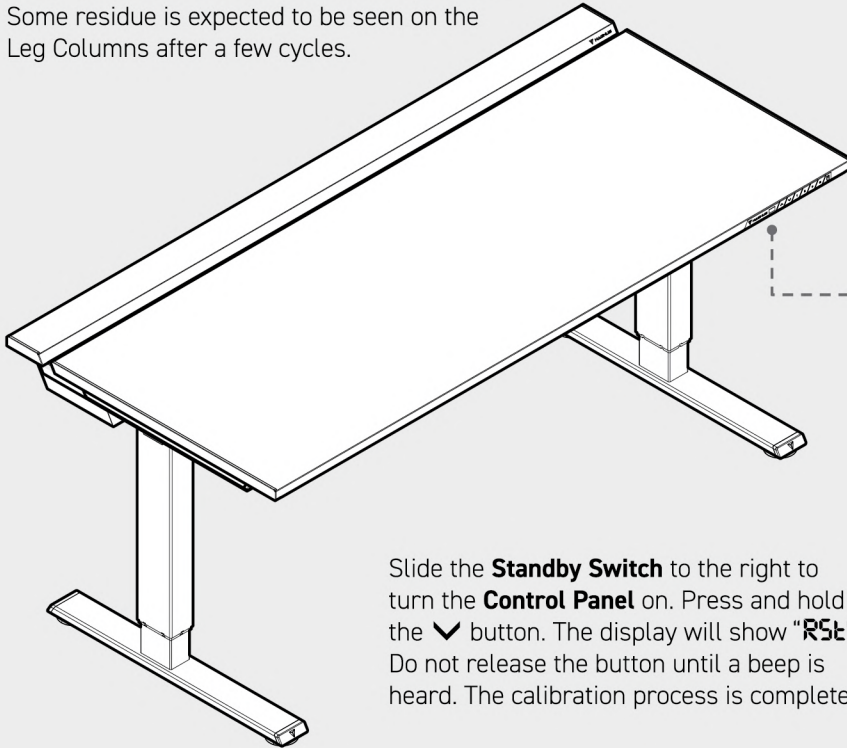
WARNING: Do not use the Secretlab MAGNUS Pro until all steps and calibration have been completed.

Plug the **Power Cord** into the socket located at the bottom of the **Left Motorized Leg Column**. Plug your desk into a 100V - 240V outlet.

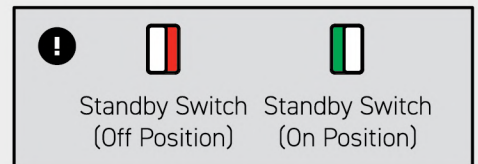
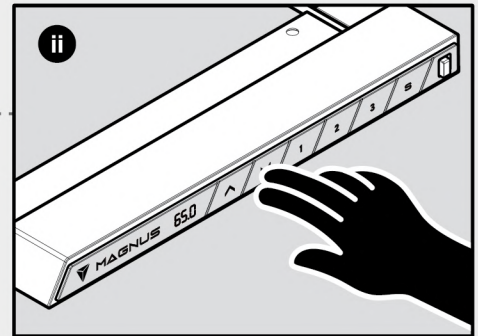
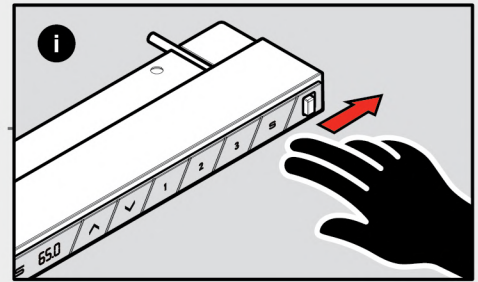


10 Calibrating your Desk

Note: Your **Motorized Leg Columns** have been lubricated to maintain smooth operation. Some residue is expected to be seen on the Leg Columns after a few cycles.

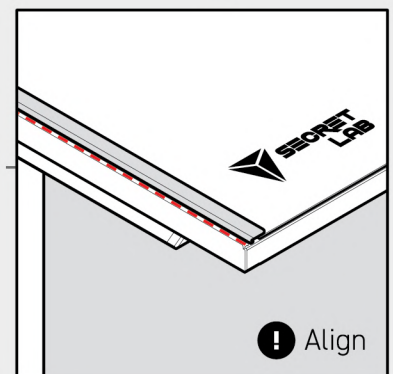
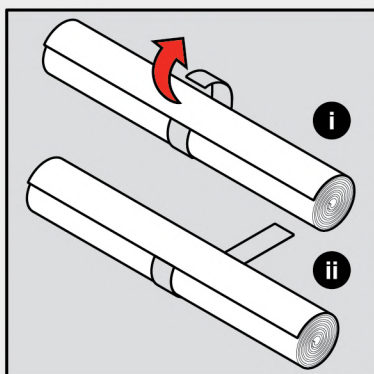
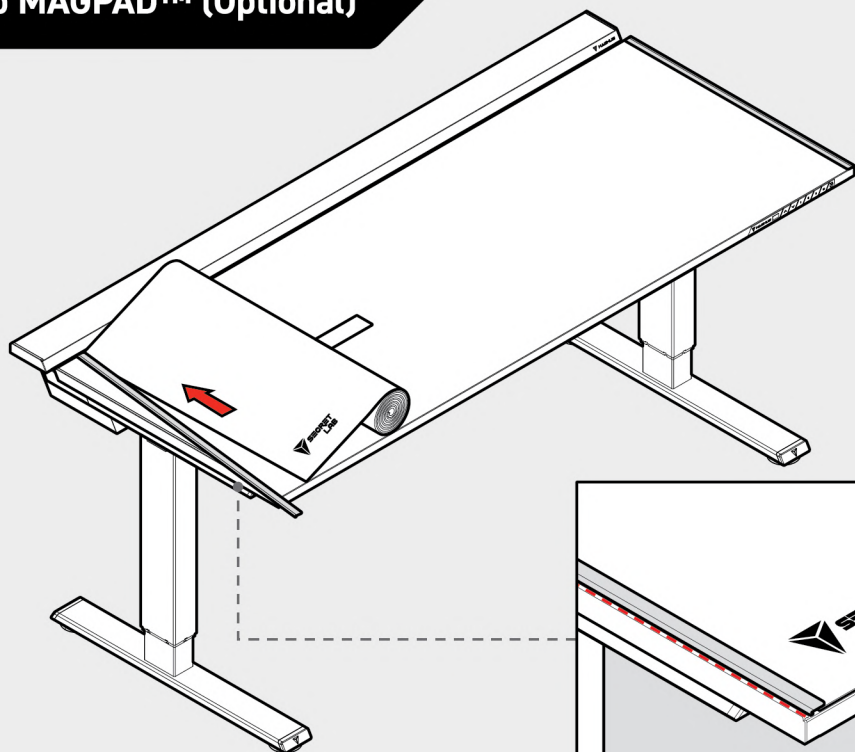


Slide the **Standby Switch** to the right to turn the **Control Panel** on. Press and hold the **▼** button. The display will show "RSt". Do not release the button until a beep is heard. The calibration process is completed.



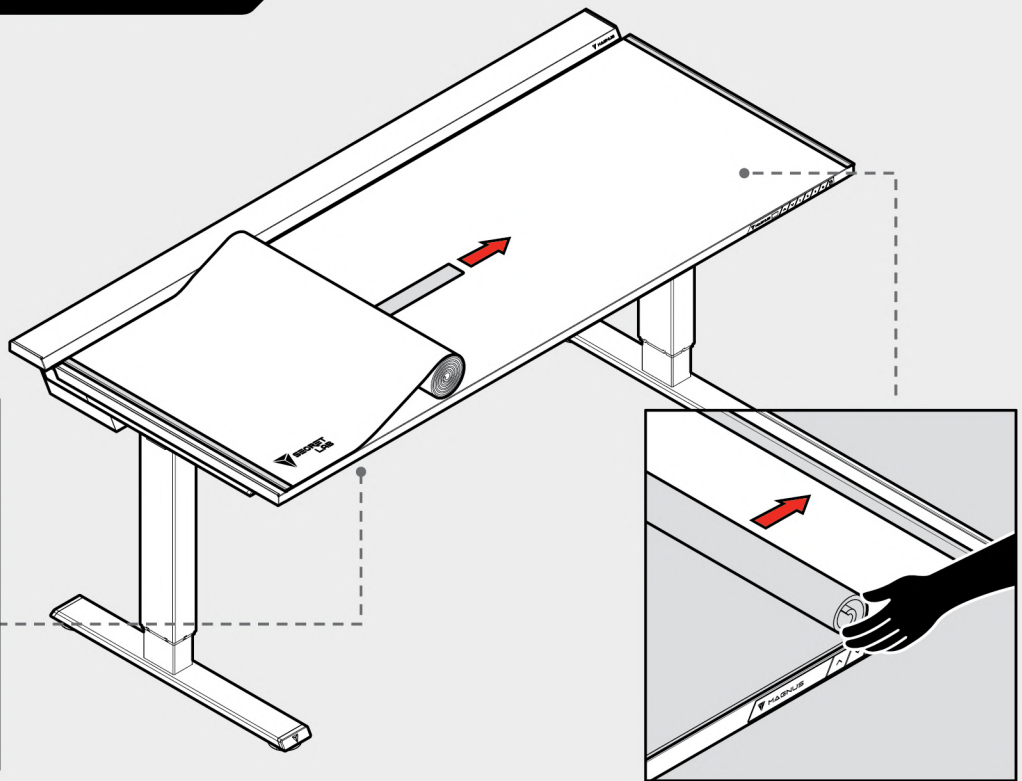
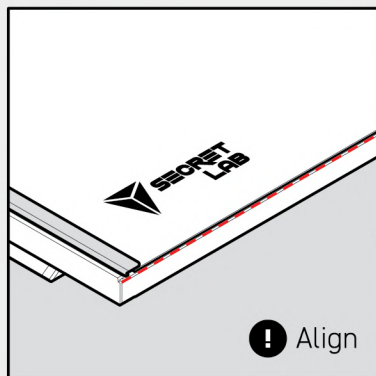
01 Installing the Secretlab MAGPAD™ (Optional)

Unfasten the centre strip of the **Secretlab MAGPAD**. Slide the **Metal Sleeve** onto one end of the Secretlab MAGPAD. Ensure that the MAGPAD has been fully inserted into the sleeve. Check that the sleeve is flushed with the edge of your Secretlab MAGNUS Pro.



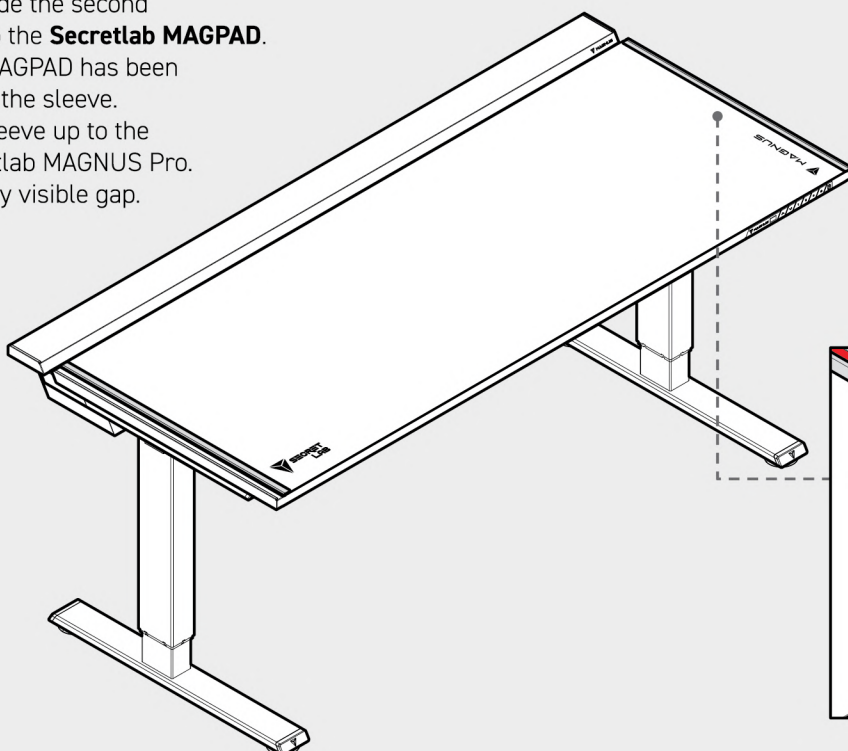
02 Unrolling the Secretlab MAGPAD

Pull the centre strip to unroll the **Secretlab MAGPAD**. Take care to align the bottom edge of the desk mat with the Secretlab **MAGNUS Pro** as you unroll it.

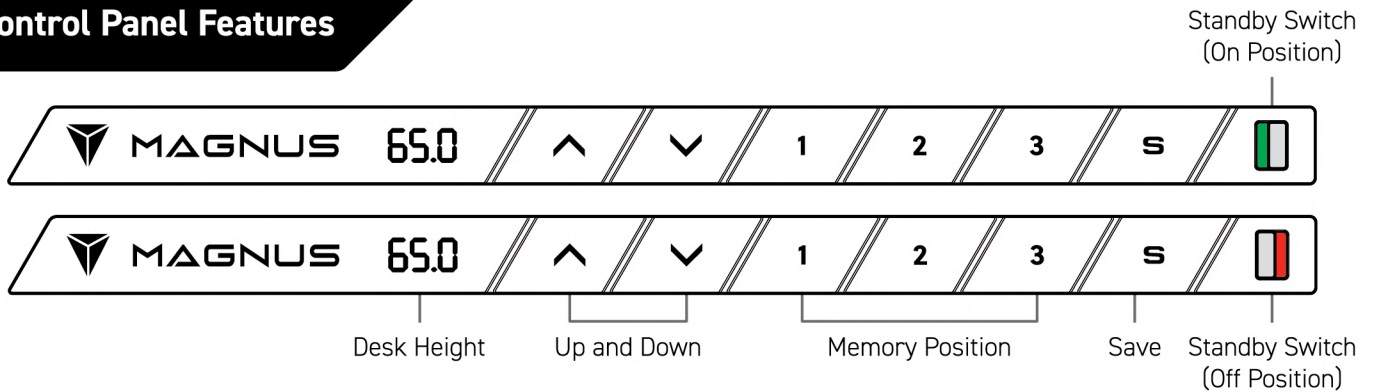


03 Installing the Metal Sleeve

As with before, slide the second **Metal Sleeve** onto the **Secretlab MAGPAD**. Ensure that the MAGPAD has been fully inserted into the sleeve. Slide the Metal Sleeve up to the edge of the Secretlab **MAGNUS Pro**. Adjust to cover any visible gap.



Control Panel Features



STANDBY SWITCH. The Control Panel can be turned off to prevent accidental activation or movement of the desk. Slide the switch to the right to turn it on. Slide it to the left to turn it off.

CALIBRATION/RESET. The Secretlab MAGNUS Pro must be calibrated prior to first use, after disconnection from the power supply, and after any impact on the Metal Desk Top. Slide the Standby Switch to the right to turn the Control Panel on. Press and hold the **▼** button. The display will show “**RS**” and the desk will start moving downward and to the lowest position if it is not already at the lowest position. Do not release the button until a beep is heard. The reset process is finished.

HEIGHT ADJUSTMENT. Press and hold the **▲ / ▼** button to lift/lower the desk to your desired height. Press and release the **▲ / ▼** button to lift/lower the desk precisely.

SAVE HEIGHT INTO MEMORY. To set into memory the desired height for either seated or standing positions, use the three memory position buttons. Use the **▲ / ▼** button to move your desk to the desired height. Press the “**S**” button. Press the “**1, 2, or 3**” button to assign the current height to a number on the Control Panel. To bring your desk back to the assigned heights, press the numbered button.

Troubleshooting

If you are having trouble with your Secretlab MAGNUS Pro, try these simple steps below. If problems persist, please refer to the **Secretlab MAGNUS Pro Troubleshooting Guide** or get in touch with us via our contact page at secretlab.co/contact, and our expert support team will get back to you as soon as possible.

PERFORM THE RESET PROCEDURE. Press and hold the **▼** button until the digital display shows “**RS**”. The Secretlab MAGNUS Pro will move down slowly to the lowest position. Do not release the button until a beep is heard.

Note: The Control Box does not reset by being unplugged and plugged back in.

CHECK ALL WIRED CONNECTIONS. Check that all cables are securely connected to the Control Box and that the Secretlab MAGNUS Pro has power.

CHECK FOR OBSTRUCTIONS. Confirm that there is nothing obstructing your desk’s motion, clearing out anything that is too close - above, below, or beside it. These obstacles may trigger the anti-collision feature.

CHECK THE CONTROL BOX. Check that the Control Box is attached firmly to the Metal Desk Top. If it is not secured, the anti-collision feature will be falsely triggered and your desk will not move properly. Refer to the **Secretlab MAGNUS Pro Troubleshooting Guide** if the anti-collision feature continues to be falsely triggered.

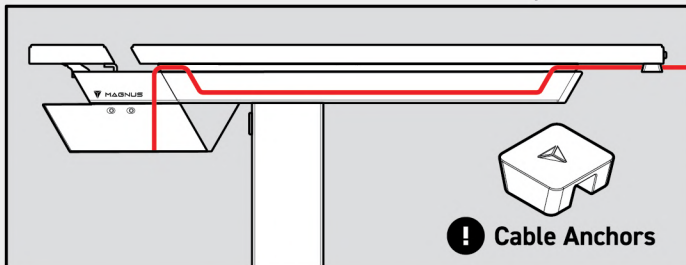
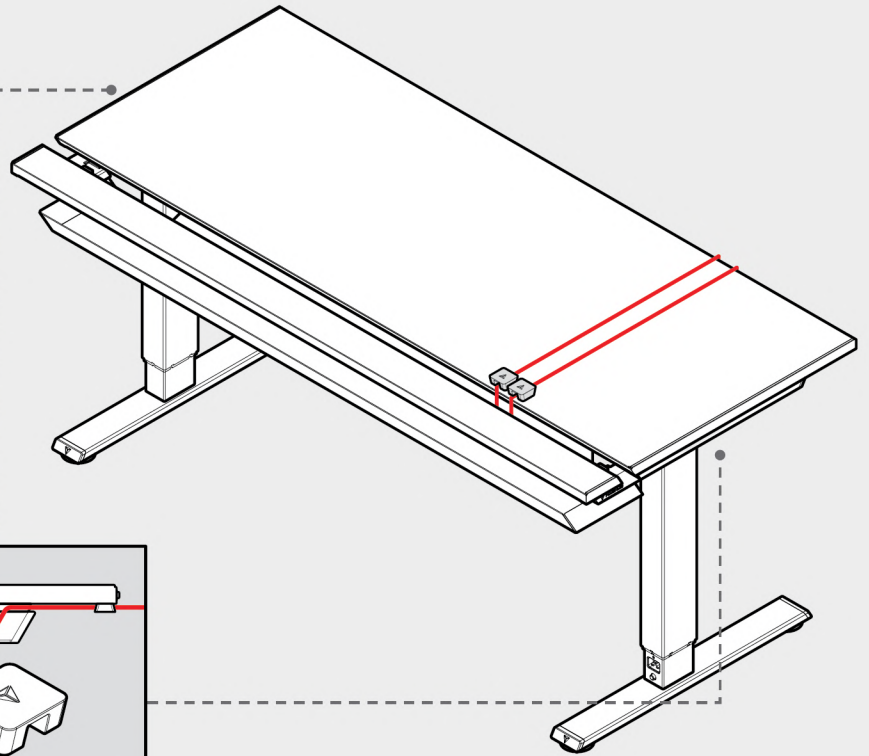
POWER CYCLE THE CONTROL BOX. In the unlikely event that an error occurs, and the Secretlab MAGNUS Pro is unresponsive, disconnect power to the desk for at least 10 seconds to rest the Control Box. Reconnect power to the desk and perform the reset procedure.

USAGE INSTRUCTIONS

Cable Management

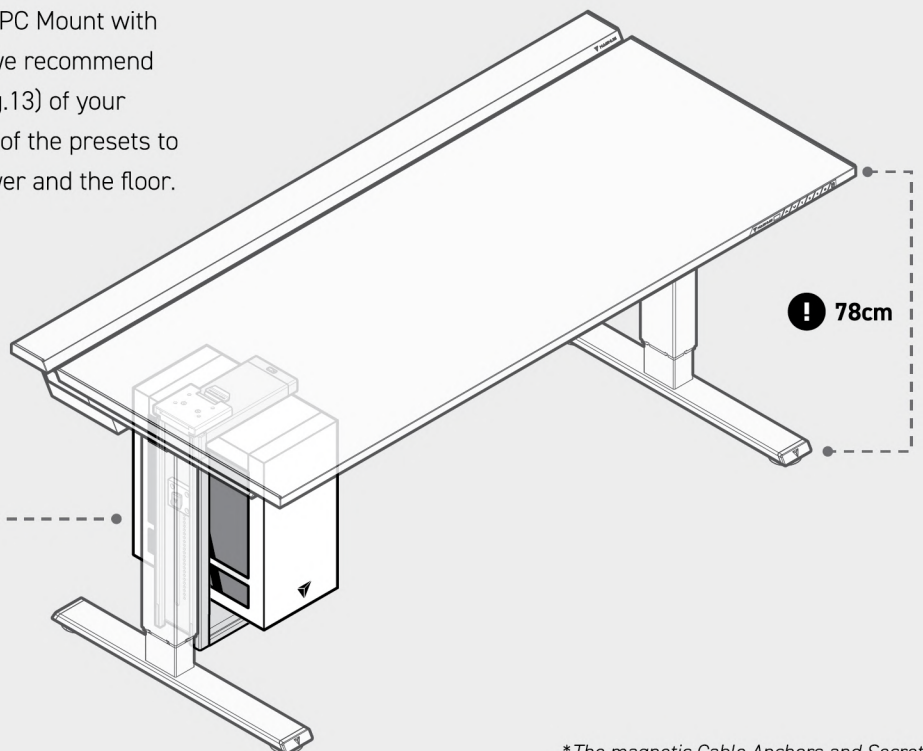
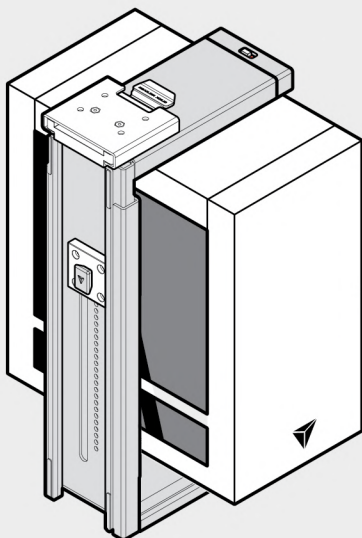
You can route your cables along the **Side Frames** of your Secretlab MAGNUS Pro. Place the Magnetic Cable Anchors on the underside of the Metal Desk Top to anchor your cables in place.

You can also choose to place the Cable Anchors on the Metal Desk Top surface near the Hinged Rear Cover where the cables come out from to secure your cables within easy reach.



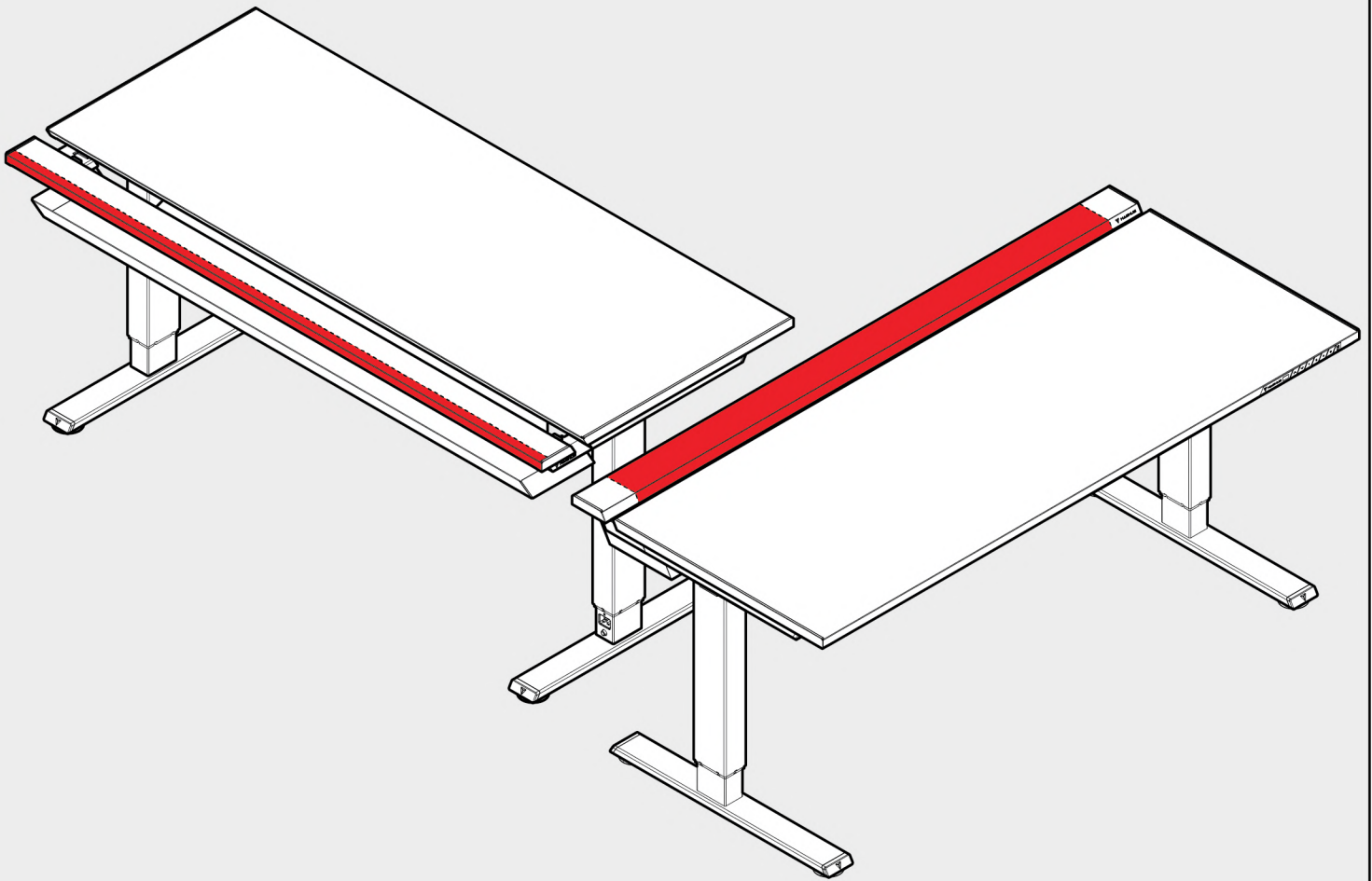
Secretlab Premium PC Mount

If you are using the Secretlab Premium PC Mount with a PC tower height of **more than 44cm**, we recommend to save the minimum height (Refer to pg.13) of your Secretlab MAGNUS Pro at **78cm** as one of the presets to avoid any collision between your PC tower and the floor.

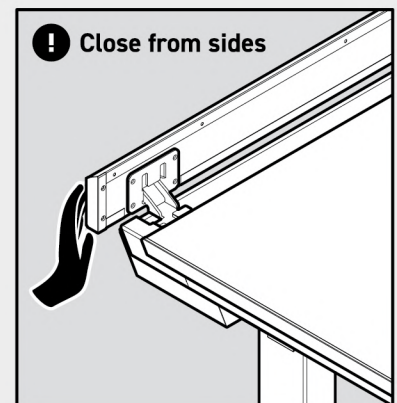
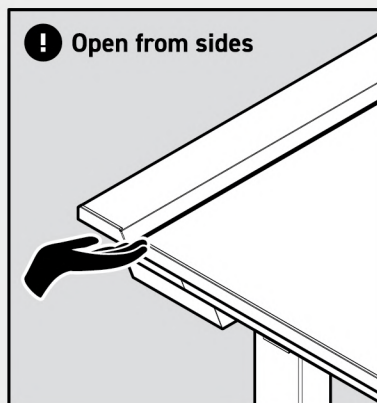


**The magnetic Cable Anchors and Secretlab Premium PC Mount are available separately.*

Handling the Hinged Rear Cover



Always open and close the Hinged Rear Cover from the sides. Do not open and close the cover via the middle and/or the back of the desk. Keep hands and fingers clear of these areas.



Moving the Desk

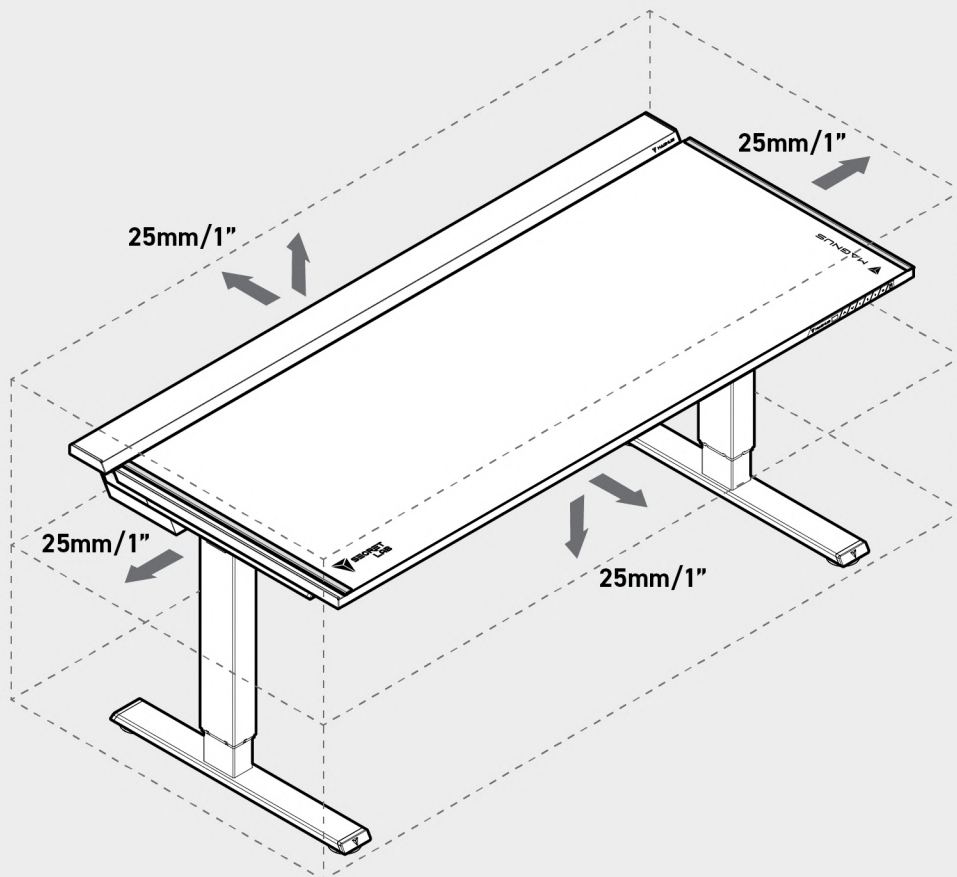
Clear objects and equipment from the desk before moving to reduce the risk of tipping over. Adjust the desk to its lowest height before moving. To disconnect, remove plug from outlet. Do not move a loaded desk.

USAGE INSTRUCTIONS

Adjusting the Desk Height

Body parts and property can be caught between the moving desk and an immobile obstacle. Keep at least **25mm/1"** of clearance around the desk and make sure nothing is in the desk's path for its entire range of motion. Check surroundings on all sides of desk are clear. Make sure corded objects will not be pulled off the desk or cause other objects to fall.

WARNING: To avoid overheating of your Secretlab MAGNUS Pro, the system is programmed to limit continuous height adjustment for more than 2 minutes within any 18 minutes period.



Do not Overload the Desk

To prevent the desk from tipping or collapsing, make sure the desk frame is not overloaded by the weight of the Metal Desk Top and objects on the desk. Evenly distribute load; excess loads near edge can reduce stability and lead to tip over.

Do not exceed the maximum load of **120kg/265lb**, inclusive of the Metal Desk Top.

Metal Desk Top (1.5m) Weight: **25.5kg/56.2lb**

Metal Desk Top (1.7m) Weight: **32.9kg/72.5lb**

Do not load the Hinged Rear Cover.

Do not sit or stand on the desk.

Maximum Current Rating

Models: Secretlab MAGNUS Pro (Type-B, Type-F, Type-G, Type-I)

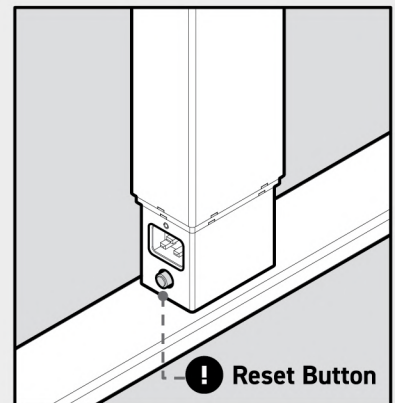
Maximum Input Current: 12A

Models: Secretlab MAGNUS Pro XL (Type-B, Type-F, Type-G, Type-I)

Maximum Input Current: 12A

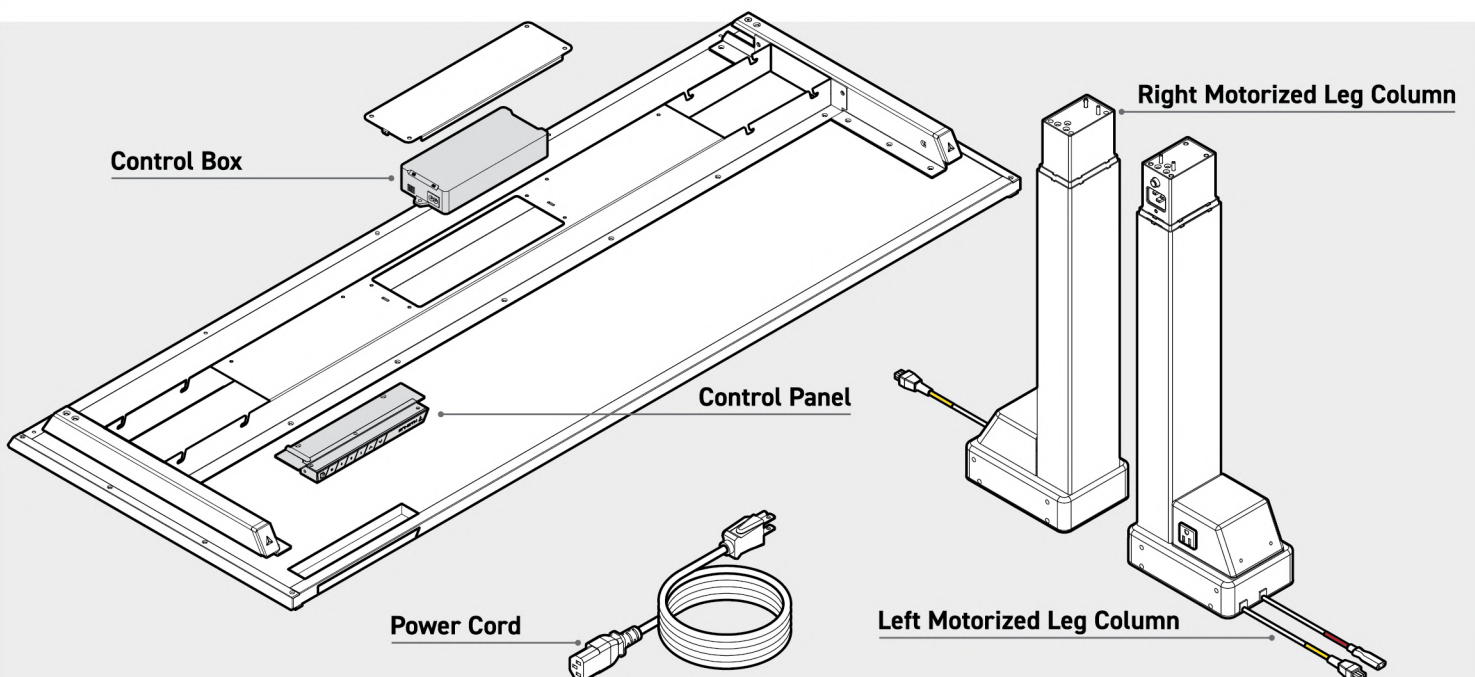
Do not overload your Secretlab MAGNUS Pro by plugging in appliances that together will exceed the **Maximum Current Rating** stated.

If the current draw of the appliances connected to your desk exceeds your model's Maximum Current Rating for longer than a few seconds, a circuit breaker will trip to prevent any possible damage. When a circuit breaker trips, its reset button will pop up. Remove excess appliances and allow the breaker to cool for a few minutes before depressing the button to reset the breaker.



Electrical Components

WARNING: Do not attempt to open the housing of Control Box, Control Panel, Leg Columns and Motors. There are no user serviceable parts in these components. Should your desk require servicing, contact our customer support for assistance. Never operate (height adjustment and power module) this workstation if it has a damaged cord or plug. Keep all electrical components away from water and high humidity.



DISPOSAL OF YOUR SECRETLAB MAGNUS PRO



The Secretlab MAGNUS Pro is designed and manufactured with high quality materials and components, which can be recycled and reused. This marking indicates that this product should not be disposed with other household wastes. To prevent possible harm to the environment or human health from uncontrolled waste disposal, recycle it responsibly to promote the sustainable reuse of material resources. To return your used device, please use the return and collection systems or contact the retailer where the product was purchased. They can take this product for environmental safe recycling.

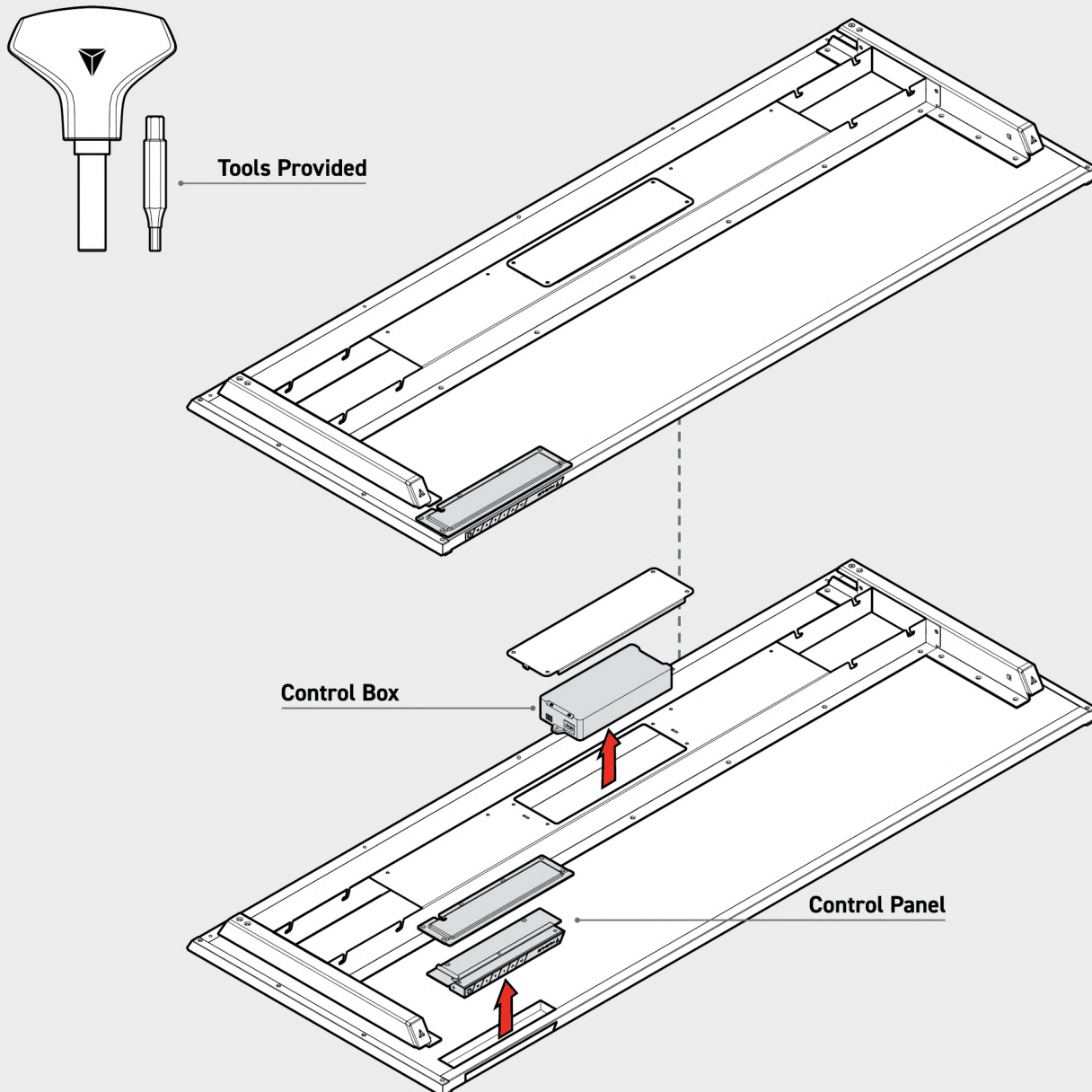
If the Secretlab MAGNUS Pro should be definitively disassembled and disposed of:

Disconnect the desk from the **supply connections**;

Dismantle the desk into **its components**;

Dismantle all **electronic parts** from the desk top as shown in the diagram below.

DISMANTLING OF ELECTRONIC PARTS





Under no circumstances does the manufacturer accept warranty claims or liability claims for damages caused from improper use or handling of the desk. For warranty terms and service or any other queries, scan the QR code or visit our website secretlab.co/support.

USAGE AND MAINTENANCE



For instructions on usage and maintenance of your Secretlab MAGNUS Pro, refer to the **Secretlab MAGNUS Pro Aftercare Guide**, scan the QR code or visit our website secretlab.co/resources.



40036328EG



Secretlab, the Secretlab logo and the Triangle logo are registered trade marks of Secretlab.
MAGNUS is a registered trade mark of Secretlab in Singapore, New Zealand and the Philippines.
The MAGNUS logo is a registered trade mark of Secretlab in the EU.