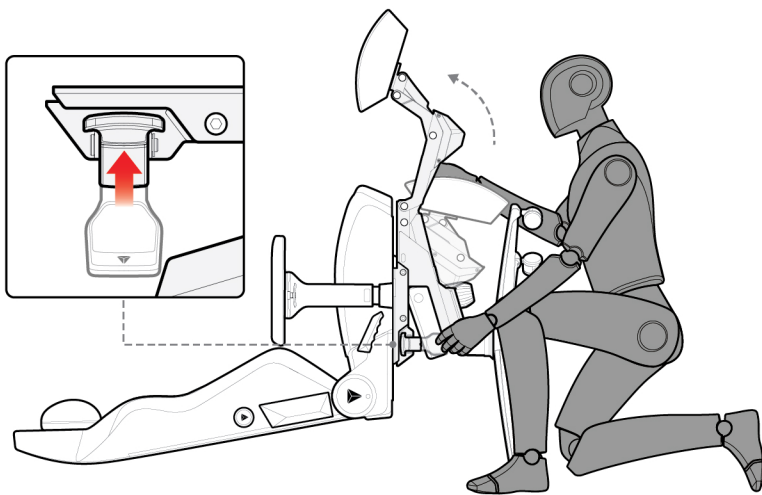
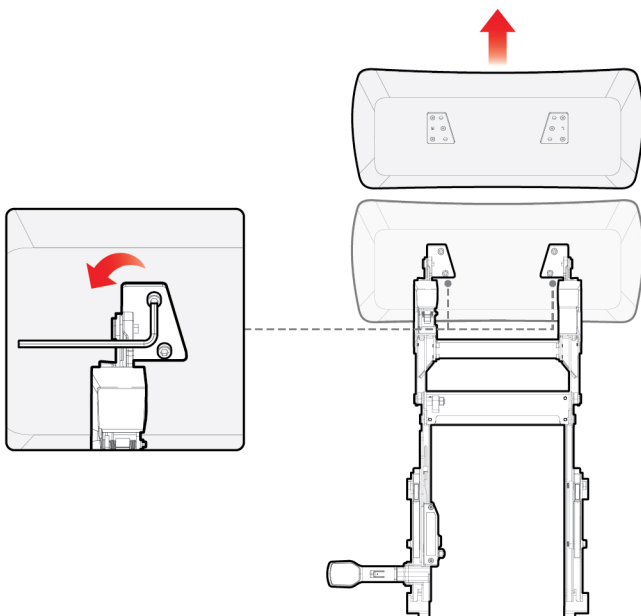


**01** Adjust the chair backrest to an upright position and ensure the chair tilt is in its default upright position. Gently flip the chair over on a carpeted surface with the backrest resting on the floor.

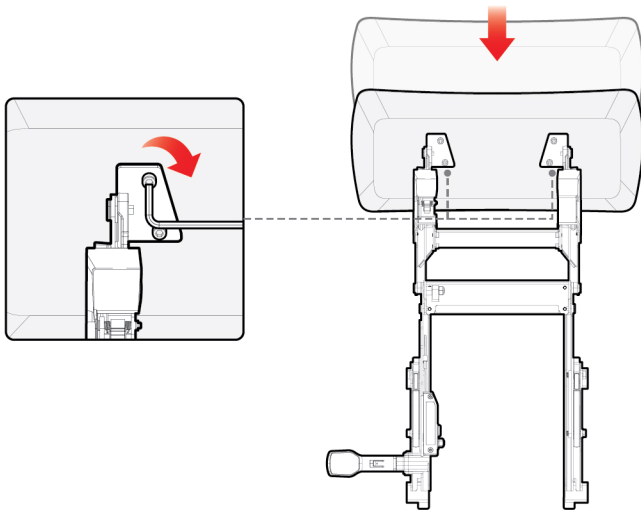


**02** Place one hand on top of the recliner cushion and with the other hand, lift and hold the recliner lever, and release the lever once the recliner is fully extended.

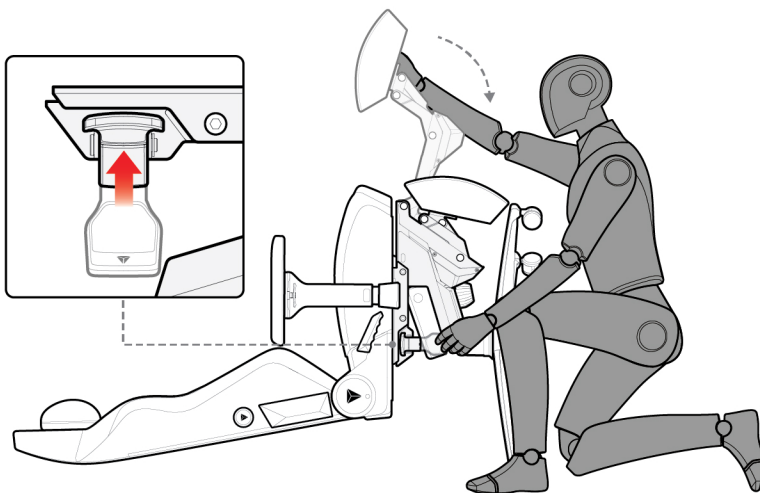
**Safety Tip:** Always ensure there is nothing in the range of motion of the recliner before activating.



**03** Use the provided Allen key to remove the four screws by turning them counterclockwise. Once removed, you can take off the recliner cushion.

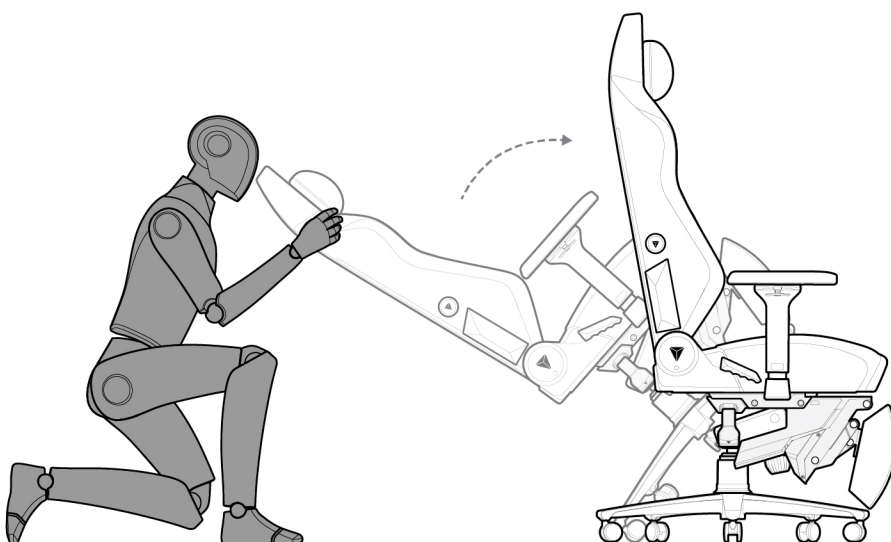


**04** Position the replacement cushion on the recliner, aligning the screw holes. Reinsert and tighten the four screws using the Allen key.



**05** Lift and hold the recliner lever, then use your hand to push the recliner fully under the seat base. Release the lever once the recliner is fully retracted – you will hear a “click” when it locks into place.

**Safety Tip:** Always ensure there is nothing in the range of motion of the recliner before activating.



**06** Gently flip the chair upright and the replacement process is completed.