

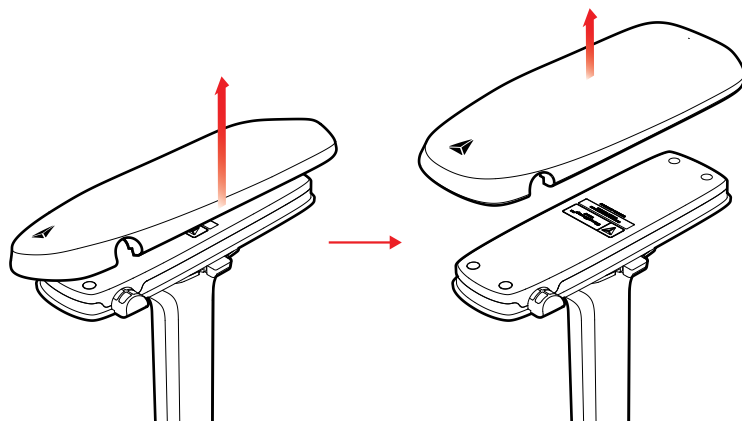
**PERSONALIZED SUPPORT THAT FEELS LIKE A DREAM.  
THIS IS CLOUDSWAP™ TECHNOLOGY.**



The Secretlab Technogel Premium Armrest Top you hold is the world's first for a gaming chair — created for those who accept no compromises. It's also the first add-on in our CloudSwap™ family of hot-swappable armrests designed specifically for your Secretlab TITAN Evo 2022 chair.

Backed by 25 years of innovation, Secretlab Technogel™ armrests are infused with the same proprietary German-made memory gel used in hospitals and industrial applications. Today, Secretlab Technogel™ armrests are the choice of the world's best esports athletes and professionals.

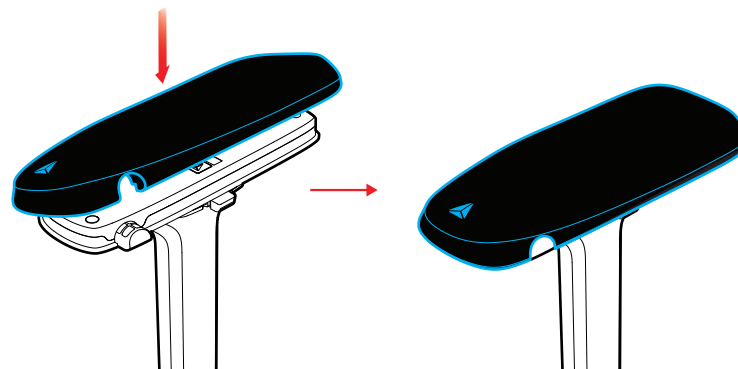
Go forth and experience the next level of comfort.

**INSTALLATION GUIDE**

**01. Detaching the armrest tops**

To detach the armrest top, grip the armrest top in the middle and gently lift the inner edge of the armrest at an angle. The armrest top should then pop out.

**Note:**

Only for CloudSwap™ Compatible Armrest Tops.


**02. Installing the Technogel™ Armrest Tops**

Grip the middle section of the new armrest top and set the outer edge down at an angle. Next, gently lower the inner edge of the armrest top. The armrest top should snap in place over the armrest mechanism.

**Note:**

Only for CloudSwap™ Compatible Armrest Tops.

**AFTERCARE GUIDE**

**Do not use your armrests outside of its intended usage**

Improper use can damage your armrest or even cause injuries. To ensure your safety, please always follow the given instructions.


**General Cleaning**

For general cleaning, dust the surface gently with a clean, dry cloth. Do not rub the surface harshly to avoid damaging it.

To remove residual stains, spot clean by gently rubbing the area with a damp cloth soaked in water. Gently dry the surface with a clean, dry cloth. Leave to air dry.


**Do not use abrasive scrubbers or harsh cleaners**

Avoid the use of alcohol-based cleaners, abrasive cleaners as they can damage the surface of the armrest top.


**Avoid heat**

Avoid the use of a hair dryer or any other direct heat source to dry the product. Always leave to air dry.


**Do not abuse it**

Even the toughest of armrests will not be able to stand up to rough and inappropriate use. Avoid placing heavy or sharp objects on the armrest over extended periods of time, especially at pinpoint pressure.

Lower your armrest when sliding the chair under your desk to prevent unwanted knocks


**Need any help?**

For additional support and full warranty terms and conditions, please scan the QR code or visit our website

[secretlab.co/support](https://secretlab.co/support)


**Other Languages**

To view this manual in the following languages, please scan the QR Code to the left.

Pour consulter ce manuel dans les langues suivantes, veuillez scanner le QR code à gauche.

Um dieses Handbuch in den folgenden Sprachen anzuzeigen, scannen Sie bitte den QR-Code auf der linken Seite.

Scan de QR-code naar links om deze handleiding in de volgende talen te bekijken.

本マニュアルを以下の言語でご覧になるには、左のQRコードをスキャンしてください。

이 설명서를 다음 언어로 보시려면 왼쪽에 있는 QR 코드를 스캔하세요.

เพื่อดูคู่มือนี้ในภาษาต่าง ๆ โปรดสแกน QR Code ที่อยู่ด้านซ้าย

Để xem số tay hướng dẫn này bằng ngôn ngữ khác, vui lòng quét Mã QR ở bên trái.

Untuk melihat panduan ini dalam bahasa lainnya, silakan scan QR code di sebelah kiri.

يؤوض حسم ءارچى ءى لئال ءاغللاب لىلدلا اذه ضرع لب اناجلا لىلع حءوم لىل ءى ءى رس لىل ءباج ءس لىل زمرل