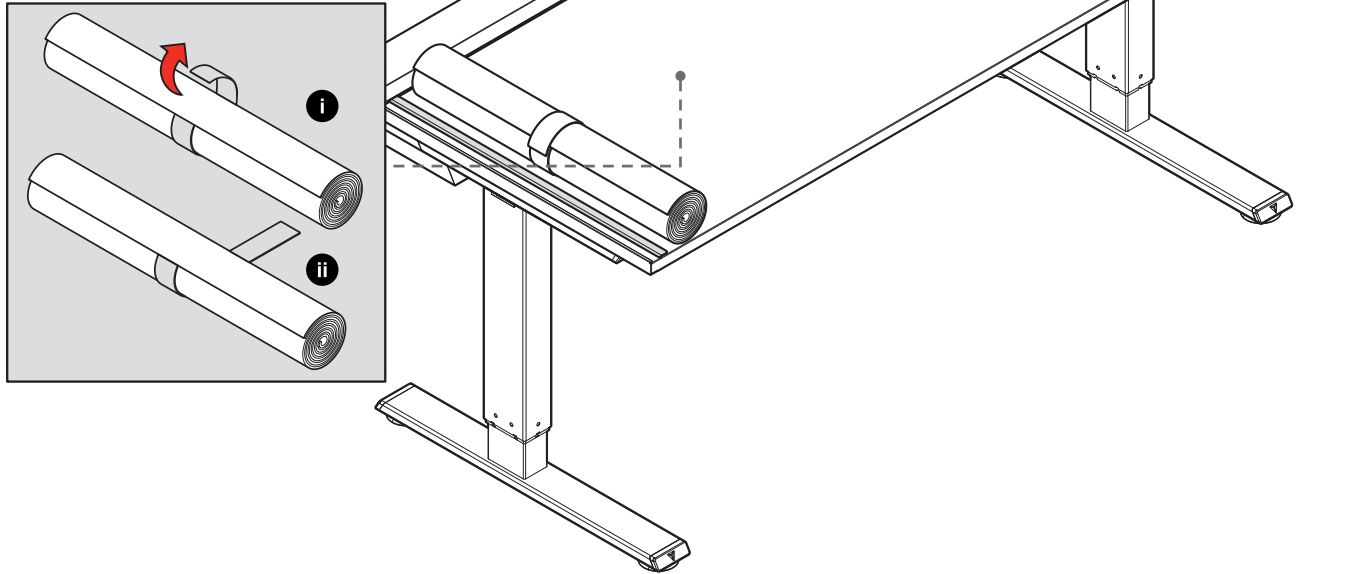


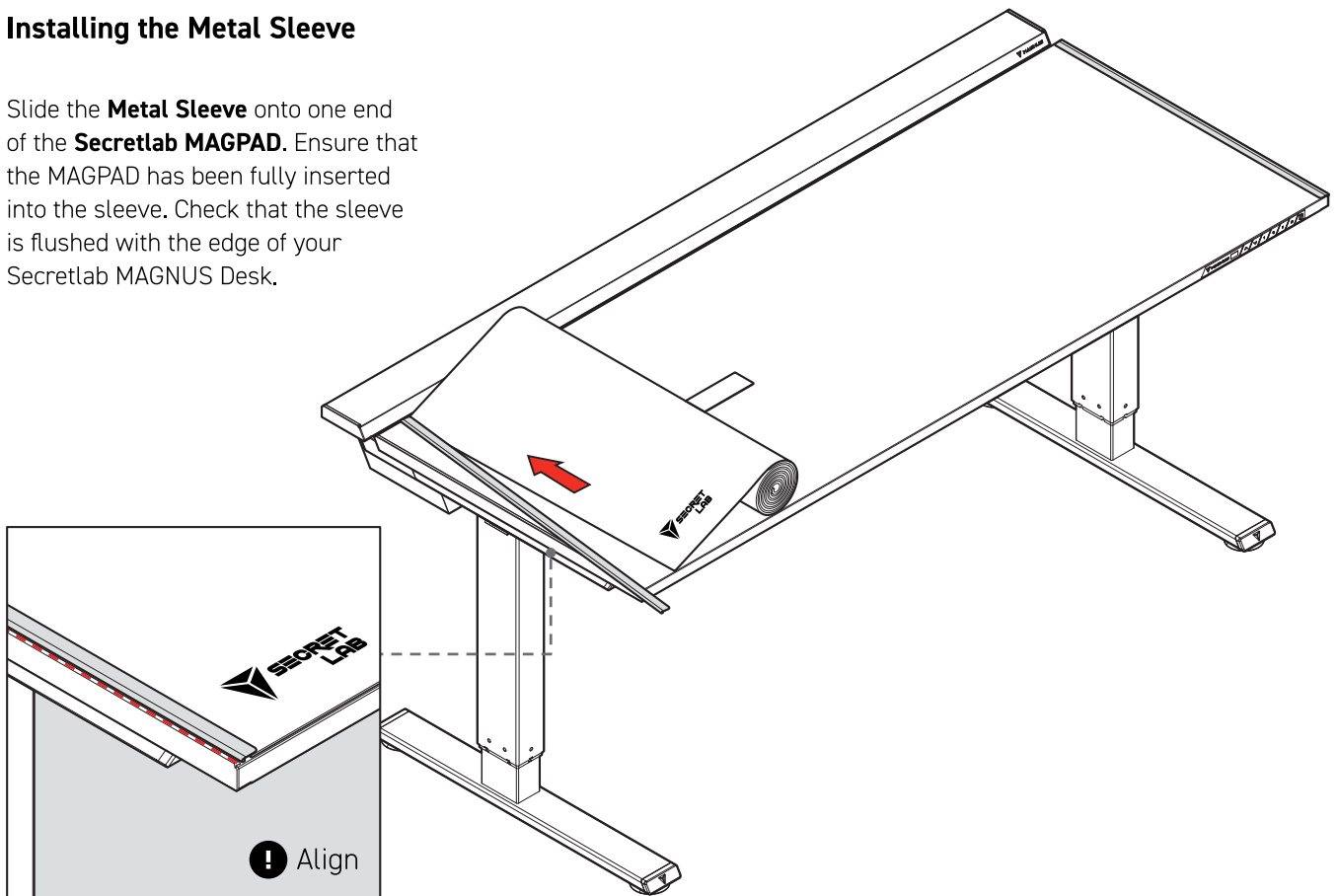
## 01 Installing the Secretlab MAGPAD™

Remove the **Metal Sleeves** from the inside of the rolled up **Secretlab MAGPAD**. Set them on the sides of the Secretlab MAGNUS Desk. Unfasten the centre strip.



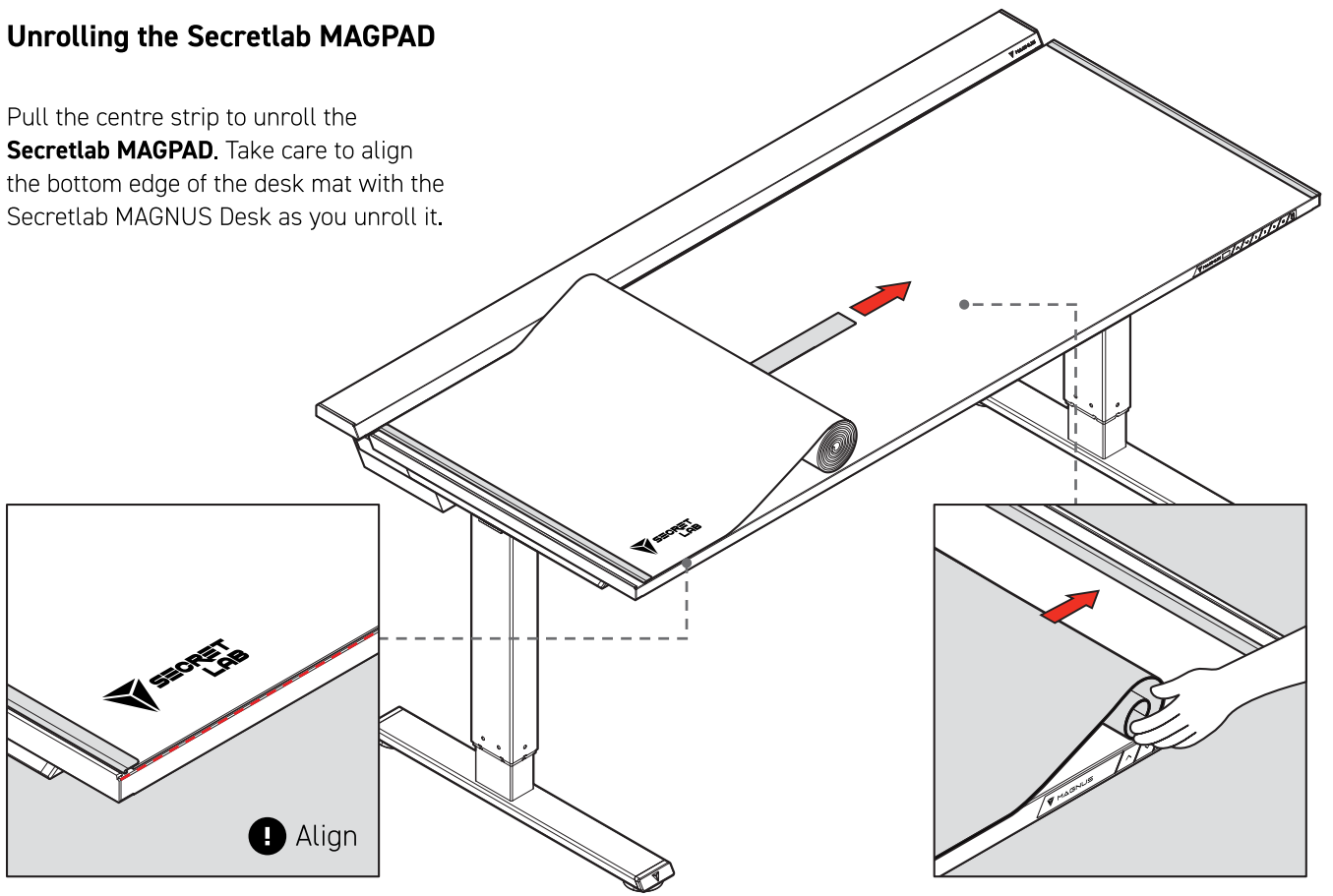
## 02 Installing the Metal Sleeve

Slide the **Metal Sleeve** onto one end of the **Secretlab MAGPAD**. Ensure that the MAGPAD has been fully inserted into the sleeve. Check that the sleeve is flushed with the edge of your Secretlab MAGNUS Desk.



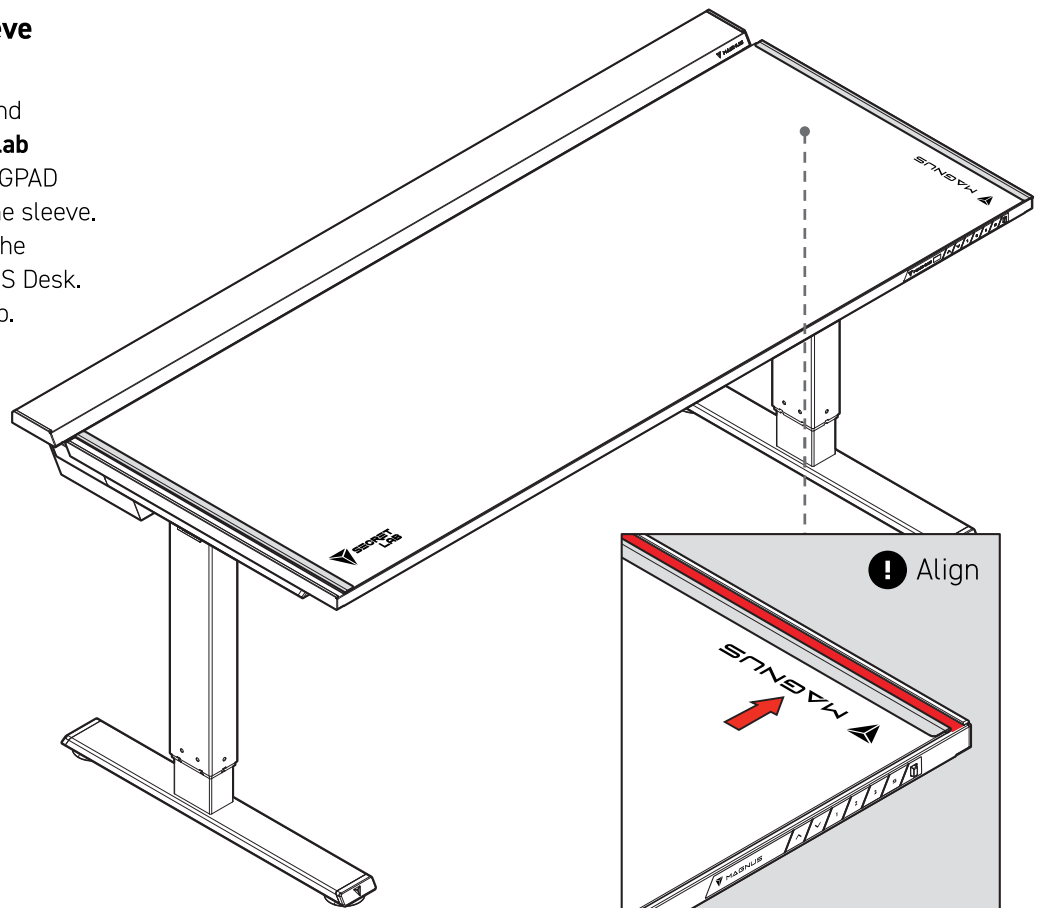
### 03 Unrolling the Secretlab MAGPAD

Pull the centre strip to unroll the **Secretlab MAGPAD**. Take care to align the bottom edge of the desk mat with the Secretlab MAGNUS Desk as you unroll it.



### 04 Installing the Metal Sleeve

As with before, slide the second **Metal Sleeve** onto the **Secretlab MAGPAD**. Ensure that the MAGPAD has been fully inserted into the sleeve. Slide the **Metal Sleeve** up to the edge of the Secretlab MAGNUS Desk. Adjust to cover any visible gap.



## Secretlab MAGPAD™ Leatherette Material

The leatherette is resistant to stains and easy to clean. For dirt and stains simply wipe the leather clean using a cloth slightly dampened with water. Leave the desk mat to dry completely after cleaning. Vacuum to remove loose particles or dirt. To avoid scratching the leatherette, exercise care when vacuuming and use a soft brush attachment.

For more effective cleaning, use a leather cleaning product such as our **Secretlab Premium Leather Cleaner**. Spray a small amount onto a clean microfiber cloth and gently wipe the leather surface.

For a quick, regular maintenance, we recommend our **Secretlab Leather Wipes**. Wipe down your desk mat and allow it to fully dry before using.



## Secretlab MAGPAD™ Microsuede Material



The microsuede material is delicate and requires regular care. Keep the material's surface dry at all times. On a regular basis, dust with a dry microfiber cloth to prevent dirt build up.

To remove any loose particles and dirt, dust the upholstery using a soft brush or a vacuum cleaner. Ensure that you dust against the grain of the upholstery.

Microsuede is not water-resistant, so keep them away from water. Any spills should be promptly soaked up with a dry, absorbent cloth or paper towel. Avoid the use of printed absorbent cloths or paper towels as they can release ink onto the material.



### Need any help?

Get in touch with us via our contact page at [secretlab.co/contact](https://secretlab.co/contact), and our expert support team will get back to you as soon as possible!